



Jules Wabbes

GENERALDECORATION

PULL HANDLES





The small size Door Handle (the size of an iron) was probably one of the first to be designed by Jules Wabbes, before the creation of General Decoration in 1969.

It can be seen on a picture of the first showroom of the Mobilier Universel in Brussels. The Mobilier Universel was Wabbes' first company, created in 1957. The door handle can be fixed vertically or horizontally and on both sides of the door. The raw bronze is soft and smooth. It can be used outside by all-weather and gets a nice patina. These door handles can be seen at the Louvain-la-Neuve Library, now a museum.

IRON DOOR HANDLES

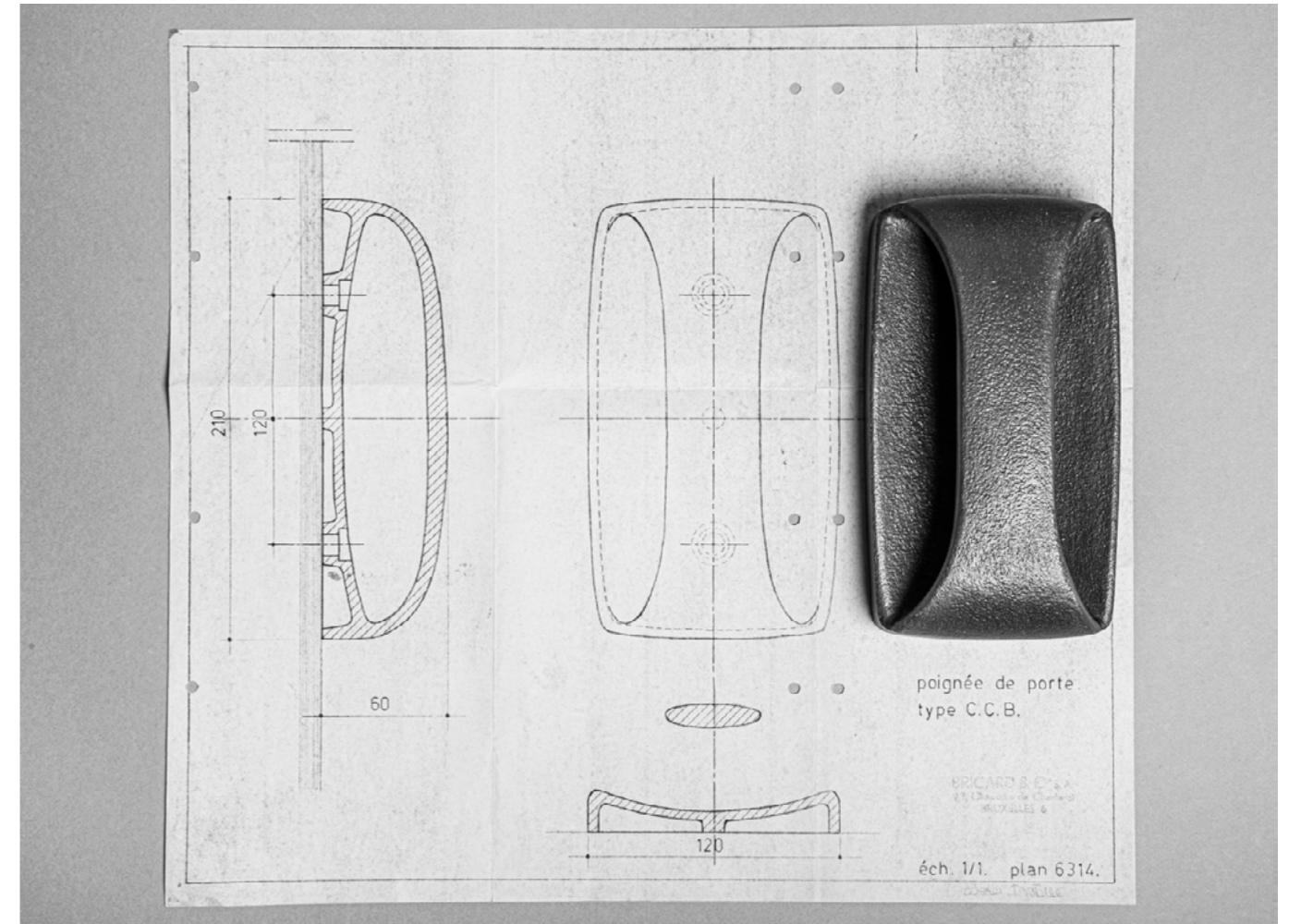
COVER & P. 4-6: Small Size, Raw Bronze

SMALL IRON DOOR HANDLE [see P. 50](#)



209 mm
8.23"

117 mm / 4.60"



SMALL IRON DOOR HANDLES | SIDH1018 + SDP2209

LEFT: Small Size, Raw Bronze (actual size)
 RIGHT [top]: Original technical drawing
 RIGHT [bottom]: Small Size, Raw Bronze
 NEXT PAGE: Small size + Door Pusher, Raw Bronze

SMALL IRON DOOR HANDLE [see P. 50](#)
 LARGE IRON DOOR HANDLE [see P. 51](#)







PEG DOOR HANDLES | PDH1017

LEFT: Raw Bronze
 ABOVE: Polished Bronze, Raw Bronze,
 Nickel-plated Bronze

PEG DOOR HANDLES [see P.53](#)





PEG DOOR HANDLES | PDH1017

LEFT: Raw Bronze
RIGHT: Raw Bronze, Nickel-plated Bronze

PEG DOOR HANDLES [see P.53](#)



RECTANGULAR DOOR HANDLES | RPH2207

LEFT: Polished Bronze
ABOVE: Raw Bronze & Polished Bronze
NEXT PAGES: Raw Bronze (actual size)

RECTANGULAR DOOR HANDLES [see P.54](#)





OVAL DOOR PULL HANDLES | SOPH2194 / LOPH1048

LEFT: Nickel-plated Bronze, Small (actual size)
 ABOVE: Raw Bronze, Large (actual size)

OVAL DOOR PULL HANDLES

[see P.56-57](#)



OVAL DOOR PULL HANDLES
XSOPH2146 / SOPH2194 / MOPH2193 / LOPH1048

LEFT: Nickel-plated Bronze, Small (actual size)
ABOVE: Polished bronze : 4 sizes (XS,S,M & L)

OVAL DOOR PULL HANDLES

see [P.56-57](#)



110 mm
4.33"



36 mm / 1.42"

53 mm
2.09"



OVAL DOOR PULL HANDLES
XSOPH2146 / LOPH1048

LEFT: Raw Bronze, Large (actual size)
ABOVE: Polished Bronze, Extra Small (actual size)

OVAL DOOR PULL HANDLES

see [P.56-57](#)



OVAL DOOR PULL HANDLE
XSOPH2146 / SOPH2194 / MOPH2193 / LOPH1048

LEFT: Raw Bronze, Large (actual size)
RIGHT: Nickel-plated Bronze, Polished Bronze, Raw Bronze,
4 sizes (XS,S,M & L)



110 mm / 4.33"



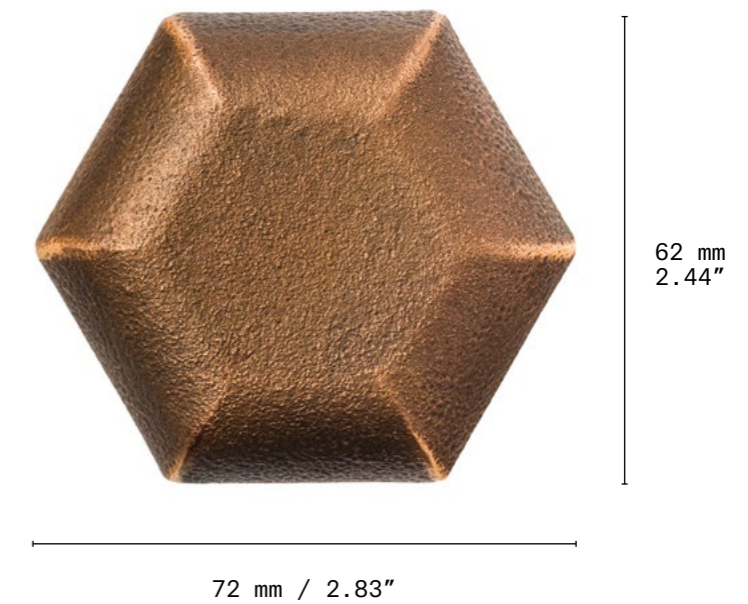
92 mm / 3.62"



76 mm / 2.99"



53 mm / 2.09"

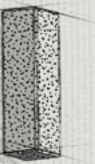
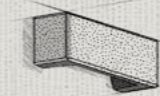


HEXAGONAL DOOR PULL HANDLE | HPH2205

LEFT AND RIGHT: Raw Bronze

HEXAGONAL DOOR PULL HANDLE [see P.55](#)

CUPBOARD HANDLES





65 mm
2.56"



110 mm
4.33"



CUPBOARD HANDLES (ONE SIDE)
SCHOS1040 / LCHOS1038

LEFT AND RIGHT: Raw Bronze, Small & Large

CUPBOARD HANDLES (ONE SIDE) [see P.58](#)



65 mm
2.56"



110 mm
4.33"



CUPBOARD HANDLES (DOUBLE SIDE)
SCHDS1041 / LCHDS1039

LEFT AND RIGHT: Raw Bronze, Small & Large

CUPBOARD HANDLES (DOUBLE SIDE) [see P.59](#)



Surrounded by artists, painters, sculptors and architects, Jules Wabbes had always been concerned with art and beauty. Inspired by ancient and classical furniture, he created a new, timeless style with an unsurpassed attention to detail. In that regard, Wabbes designed handles for his desks and furniture as if they were true sculptures, yet functional, with a smooth and soft feel when touched. General Decoration presents today the cabinet handles in four finishes.



CABINET HANDLES | CH1047

LEFT: Nickel-Plated Brass, Large
 RIGHT: Polished Brass, Brushed Brass, Nickel-Plated Brass and Polished Bronze, 1 Size





 OVAL PULL HANDLE
 Bronze before polishing



 GENERAL DECORATION
 BY JULES WABBES



IRON DOOR HANDLES

After that first doorknob, Wabbes designed several pull doors and cabinet handles, particularly for his new company General Decoration in 1969.

They add beauty, convenience, or effectiveness to a door and become like a jewel, heavy and strong that last forever. It is a signature for a house, an office, a shop

1969

TECHNICAL SPECS

NAME Iron Door Handles
 ORIGINAL DESIGN 1969
 MATERIAL Bronze

DIMENSIONS
 (L) 209 × (W) 117 × (D) 57 mm
 8.23 × 4.60 × 2.24"
 (L) 290 × (W) 154 × (D) 82 mm
 11.42 × 6.06 × 3.15"

WEIGHT 2,8 kg / 6.94 lbs
 7,4 kg / 16.31 lbs

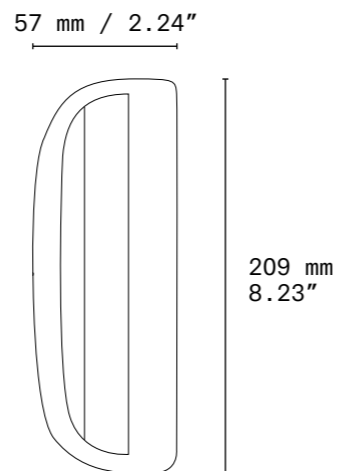
FINISHES / PRODUCT REF.
 Small Raw Bronze: SIDH1018
 Large Raw Bronze: LIDH2183

PRODUCTION / EDITION On Demand

**GENERAL DECORATION
 BY JULES WABBES**



(Raw Bronze) FRONT
 Length (L) | 209 mm / 8.23"
 Width (W) → 117 mm / 4.60"

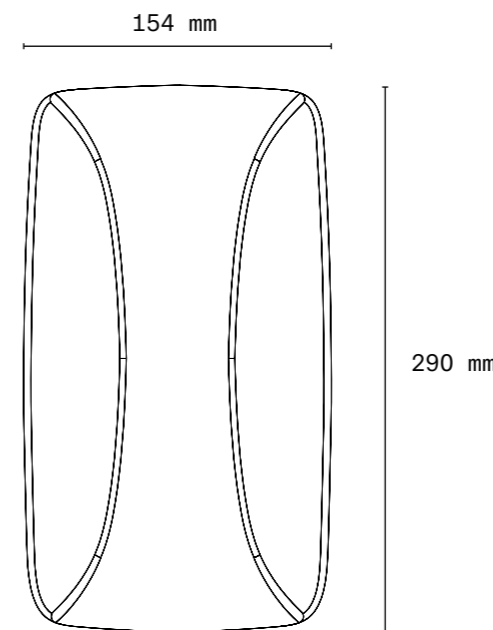


(Raw Bronze) LEFT
 Length (L) | 209 mm / 8.23"
 Depth (D) → 57 mm / 2.24"

PHOTOS P. 4-13



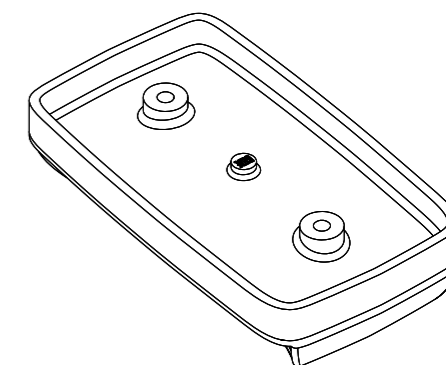
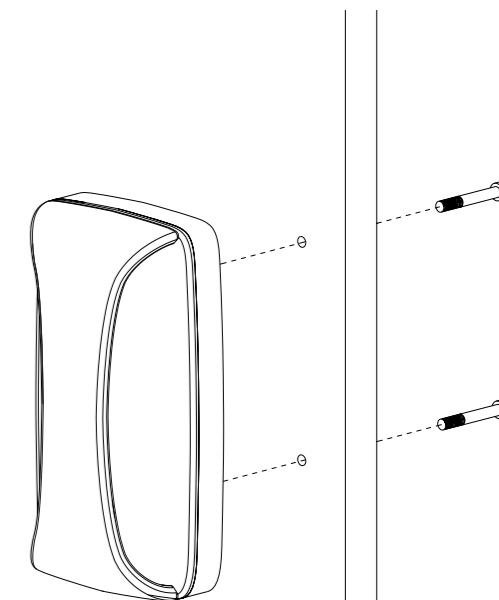
(Raw Bronze) FRONT
 Length (L) → 290 mm / 11.42"
 Width (W) | 154 mm / 6.06"



(Bronze) FRONT
 Depth (D) ↘ 80 mm / 3.15"

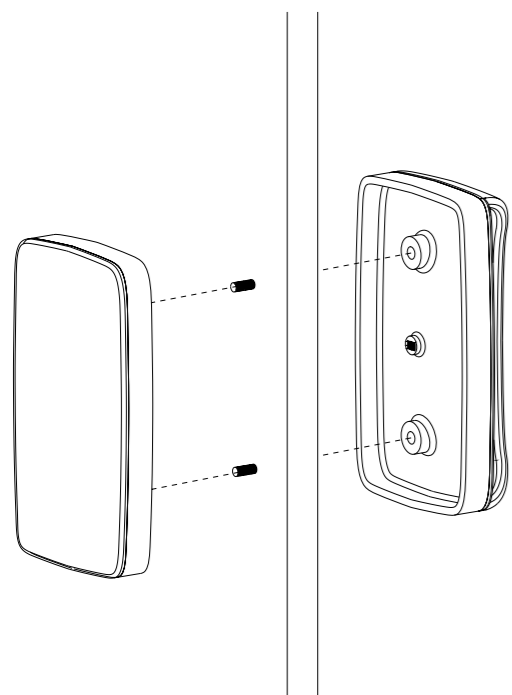
PHOTOS P. 4-13

INSTALLATION



**GENERAL DECORATION
 BY JULES WABBES**

INSTALLATION



TECHNICAL SPECS

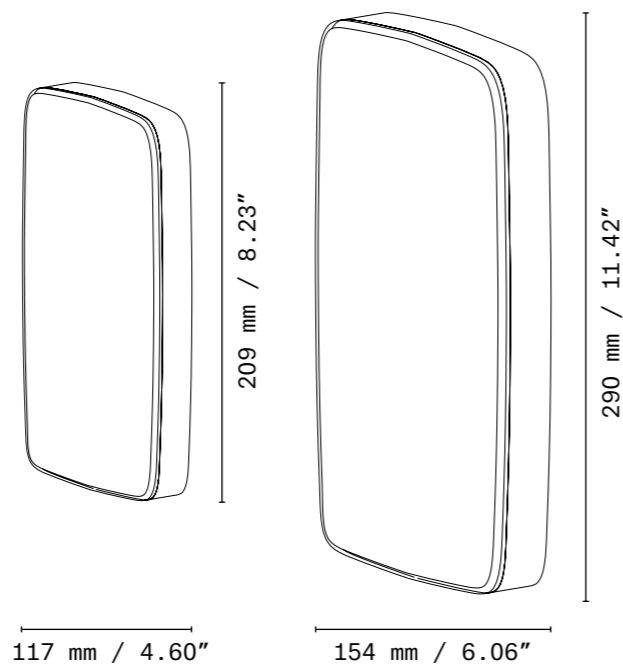
NAME Door Pushers
 ORIGINAL DESIGN 1969
 MATERIAL Bronze
 DIMENSIONS
 (L) 209 × (W) 117 × (H) 24 mm
 8.23 × 4.60 × 0,94"
 (L) 290 × (W) 154 × (H) 34 mm
 11.42 × 6.06 × 1,34"
 WEIGHT 1,8 kg / 3.97 lbs
 5,2 kg / 11.46 lbs
 FINISHES / PRODUCT REF.
 Small Raw Bronze: SDP2209
 Large Raw Bronze: LDP2209
 PRODUCTION / EDITION On Demand

**GENERAL DECORATION
 BY JULES WABBES**

DOOR PUSHER (SMALL + LARGE)



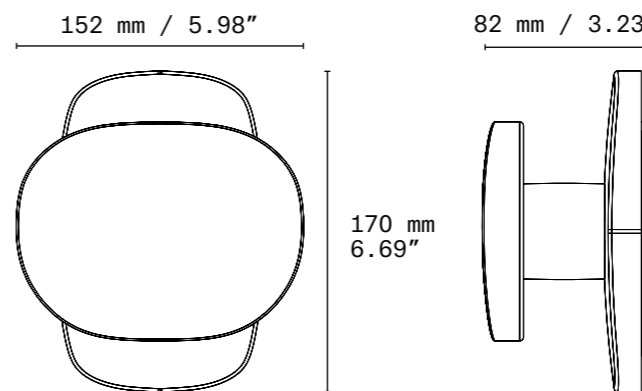
(Small Raw Bronze)		FRONT
Lenght (L)	I	209 mm
Width (W)	I	117 mm
(Large Raw Bronze)		FRONT
Lenght (L)	I	290 mm
Width (W)	I	154 mm



PHOTOS SEE P. 13

PEG DOOR HANDLES

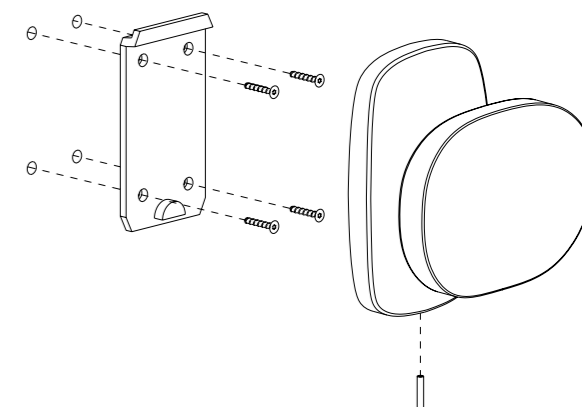
(Raw Bronze)		FRONT
Lenght (L)	I	170 mm / 6.69"
Width (W)	I	152 mm / 5.98"



(Bronze)		RIGHT
Depth (D)	I	82 mm / 3.23"

PHOTOS SEE P. 14-20

INSTALLATION

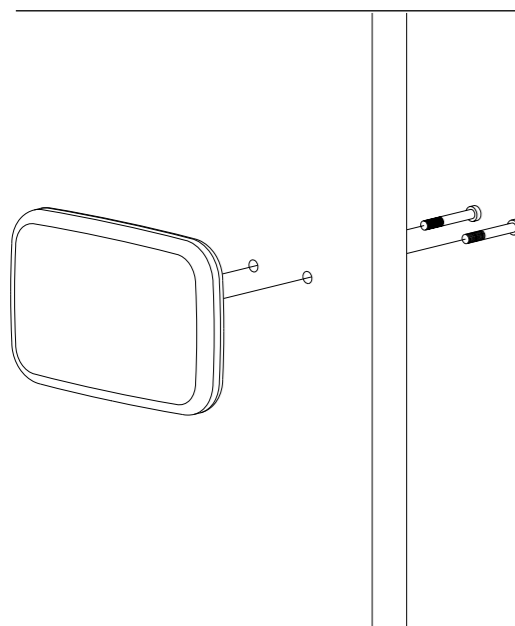


TECHNICAL SPECS

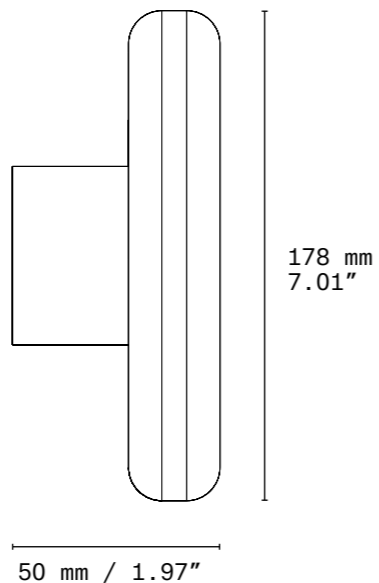
NAME Peg Door Handles
 ORIGINAL DESIGN 1969
 MATERIAL Bronze
 DIMENSIONS
 (L) 170 × (W) 152 × (D) 82 mm
 6.69 × 5.98 × 3.23"
 WEIGHT 4,4 kg / 9.70 lbs
 FINISHES / PRODUCT REF.
 Raw Bronze: PDH1017R
 Polished Bronze: PDH1017P
 Nickel-plated Bronze: PDH1017NP
 PRODUCTION / EDITION On Demand

**GENERAL DECORATION
 BY JULES WABBES**

INSTALLATION



(Raw Bronze) FRONT
 Length (L) 178 mm / 7.01"
 Width (W) 118 mm / 4.65"



TECHNICAL SPECS

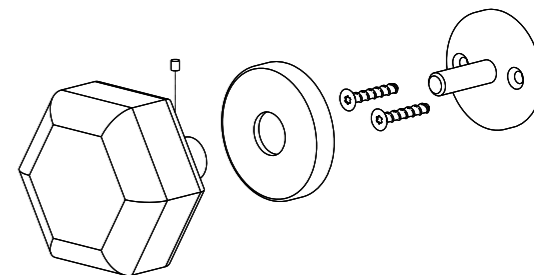
NAME Rectangular Pull Handles
 ORIGINAL DESIGN 1969
 MATERIAL Bronze
 DIMENSIONS (L) 178 x (W) 118 x (D) 50 mm
 7.01 x 4.65 x 1.97"
 WEIGHT 3,6 kg / 7.94 lbs
 FINISHES / PRODUCT REF.
 Raw Bronze: RPH2207R
 Polished bronze: RPH2207P
 Nickel-plated bronze: RPH2207NP
 PRODUCTION / EDITION On Demand

GENERAL DECORATION
 BY JULES WABBES

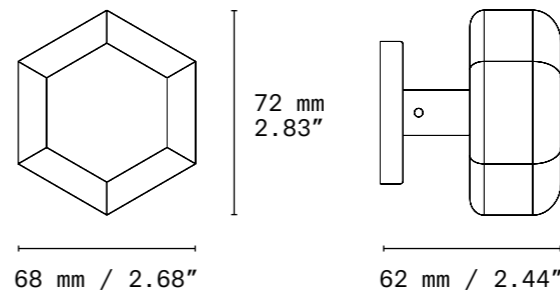
PHOTOS SEE P. 20-23



INSTALLATION



(Raw Bronze) FRONT
 Length (L) 72 mm / 2.83"
 Width (W) 62 mm / 2.44"

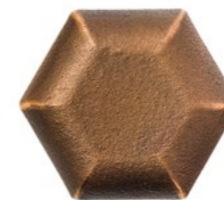


TECHNICAL SPECS

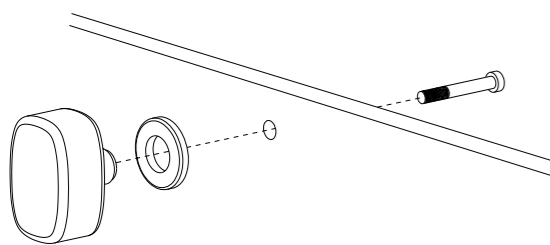
NAME Hexagonal Door Handle
 ORIGINAL DESIGN 1969
 MATERIAL Bronze
 DIMENSIONS (L) 72 x (W) 62 x (H) 68 mm
 2.83 x 2.44 x 2.68"
 WEIGHT 1.2 kg / 2.65 lbs
 FINISHES / PRODUCT REF.
 Raw Bronze: HPH2205R
 PRODUCTION / EDITION On Demand

GENERAL DECORATION
 BY JULES WABBES

PHOTOS SEE P. 32-33

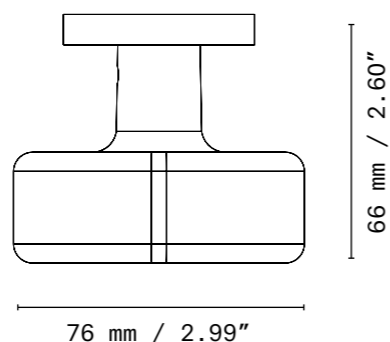
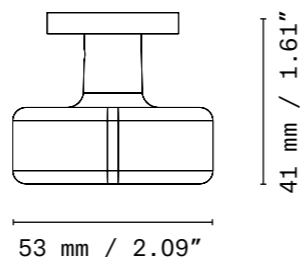


INSTALLATION



(XSmall Raw Bronze)		FRONT
Lenght (L)	↔	53 mm / 2.09"
Width (W)	I	36 mm / 1.42"

(Small Raw Bronze)		FRONT
Lenght (L)	↔	76 mm / 2.99"
Width (W)	I	56 mm / 2.20"



TECHNICAL SPECS

NAME Oval Door Pull Handles
 ORIGINAL DESIGN 1969
 MATERIAL Bronze

DIMENSIONS
 XSmall: (L) 53 × (W) 36 × (D) 41 mm
 2.09 × 1.42 × 1.61"
 Small: (L) 76 × (W) 56 × (D) 66 mm
 2.99 × 2.20 × 2.60"

WEIGHT XSmall: 0,4 kg / 0.88 lbs
 Small: 1,2 kg / 2.65 lbs

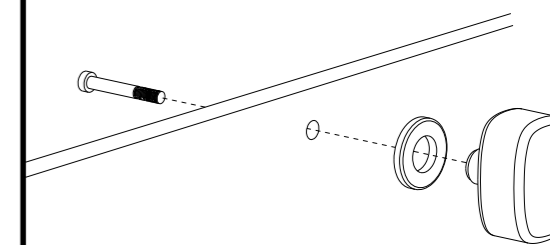
FINISHES / PRODUCT REF.
 XSmall Raw Bronze: XSOPH2146R
 XS Nickel-plated Bronze: XSOPH2146NP
 XS Polished Bronze: XSOPH2146P
 Small Raw Bronze: SOPH2194R
 S Nickel-plated Bronze: SOPH2194CP
 S Polished Bronze: SOPH2194P

PRODUCTION / EDITION On Demand

**GENERAL DECORATION
 BY JULES WABBES**

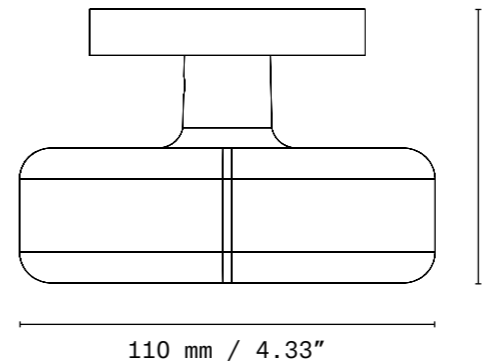
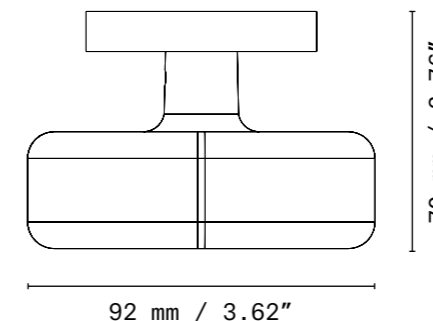
PHOTOS SEE P. 24-31

INSTALLATION



(Medium Raw Bronze)		FRONT
Lenght (L)	↔	92 mm / 3.62"
Width (W)	I	70 mm / 2.76"

(Large Raw Bronze)		FRONT
Lenght (L)	↔	110 mm / 4.33"
Width (W)	I	90 mm / 3.54"



TECHNICAL SPECS

NAME Oval Door Pull Handles
 ORIGINAL DESIGN 1969
 MATERIAL Bronze

DIMENSIONS
 Medium: (L) 92 × (W) 70 × (D) 70 mm
 3.62 × 2.76 × 2.76"
 Large: (L) 110 × (W) 90 × (D) 75 mm
 4.33 × 3.54 × 2.95"

WEIGHT Medium: 2,1 kg / 4.63 lbs
 Large: 3,2 kg / 7.09 lbs

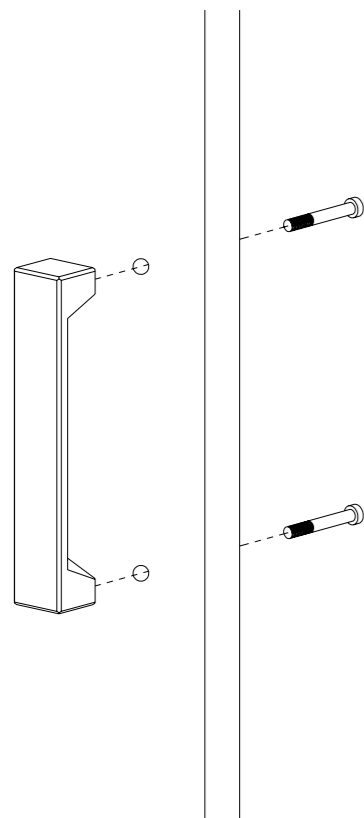
FINISHES / PRODUCT REF.
 Medium Raw Bronze: MOPH2193R
 M Nickel-plated Bronze: MOPH2193NP
 M Polished Bronze: MOPH2193P
 Large Raw Bronze: LOPH1048R
 L Nickel-plated Bronze: LOPH1048NP
 L Polished Bronze: LOPH1048P

PRODUCTION / EDITION On Demand

**GENERAL DECORATION
 BY JULES WABBES**

PHOTOS SEE P. 24-31

INSTALLATION



(Large One Side - Raw Bronze) BOTTOM

Lenght (L) 110 mm / 4.33"
Heigh (H) 20 mm / 0.79"



(Small One Side - Raw Bronze) BOTTOM

Lenght (L) 65 mm / 2.56"
Heigh (H) 20 mm / 0.79"

TECHNICAL SPECS

NAME Cupboard Handles (One Side)
ORIGINAL DESIGN 1969
MATERIAL Bronze

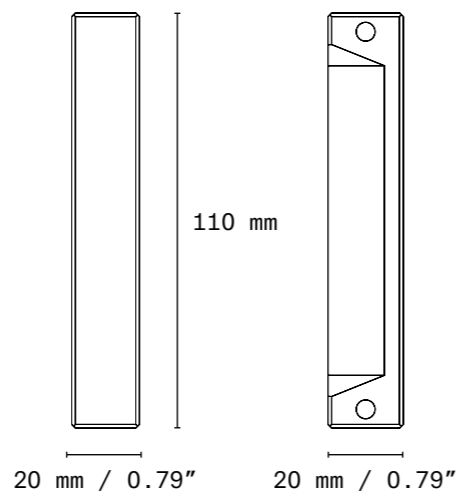
DIMENSIONS
Small: (L) 65 × (W) 20 × (D) 20 mm
2.56 × 0.79 × 0.79"
Large: (L) 110 × (W) 20 × (D) 20 mm
4.33 × 0.79 × 0.79"

WEIGHT
Small: 170 g / 0.60 lbs
Large: 290 g / 1.02 lbs

FINISHES / PRODUCT REF.
Small Raw Bronze: SCHOS1040R
Small Polished Bronze: SCHOS1040P
Small Nickel-Plated bronze: SCHOS1040NP
Large Raw Bronze: LCHOS1038
Large Polished Bronze: LCHOS1038P
Large Nickel-Plated bronze: LCHOS1038NP

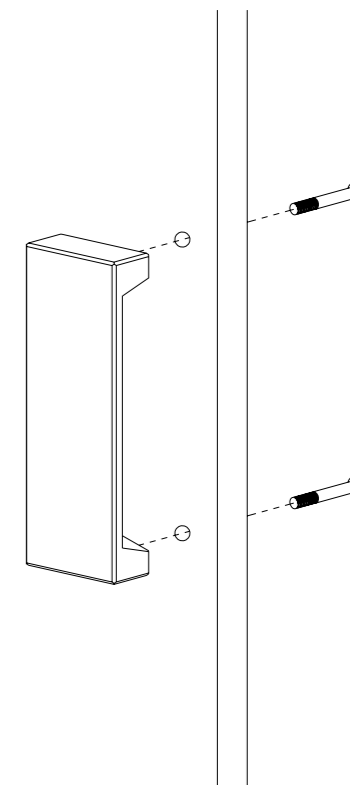
PRODUCTION / EDITION On Demand

GENERAL DECORATION
BY JULES WABBES



PHOTOS SEE P. 36-39

INSTALLATION



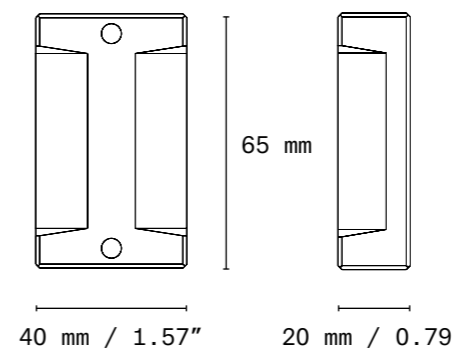
(Large Double - Raw Bronze) BOTTOM

Lenght (L) 110 mm / 4.33"
Heigh (H) 40 mm / 1.57"



(Small Double - Raw Bronze) BOTTOM

Lenght (L) 65 mm / 2.5"
Heigh (H) 40 mm / 1.57"



PHOTOS SEE P. 36-39

TECHNICAL SPECS

NAME Cupboard Handles (Double Sides)
ORIGINAL DESIGN 1969
MATERIAL Bronze

DIMENSIONS
Small: (L) 65 × (W) 40 × (D) 20 mm
2.5 × 1.57 × 0.79"
Large: (L) 110 × (W) 40 × (D) 20 mm
4.33 × 1.57 × 0.79"

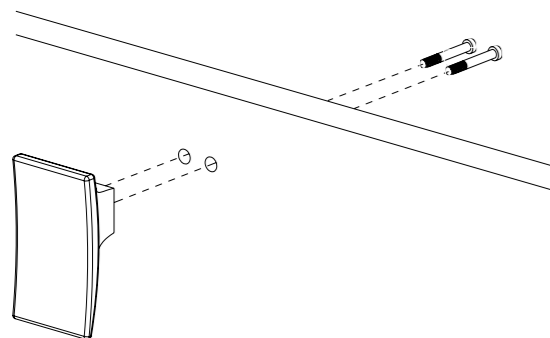
WEIGHT
Small: 350 g / 1.23 lbs
Large: 550 g / 1.94 lbs

FINISHES / PRODUCT REF.
Small Raw Bronze: SCHDS1041-R
Small Polished Bronze: SCHDS1041P
Small Nickel-Plated bronze: SCHDS1041-NP
Large Raw Bronze: LCHDS1039R
Small Polished Bronze: LCHDS1039P
Small Nickel-Plated bronze: LCHDS1039NP

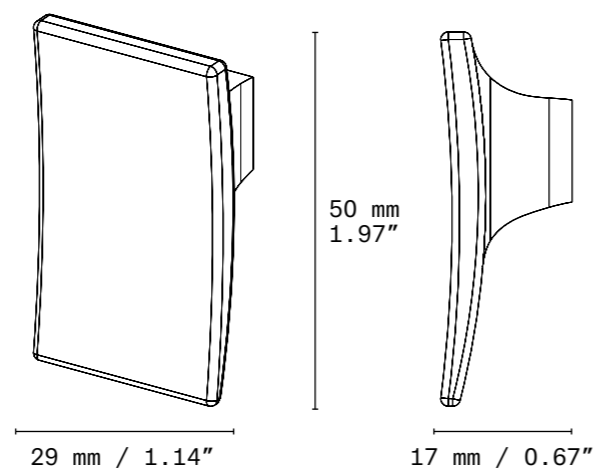
PRODUCTION / EDITION On Demand

GENERAL DECORATION
BY JULES WABBES

INSTALLATION



(Patinated Bronze)		BOTTOM
Lenght (L)	—	50 mm / 1.97"
Heigh (H)	I	29 mm / 1.14"



TECHNICAL SPECS

NAME Cabinet Handles
ORIGINAL DESIGN 1969
MATERIAL Brass or Bronze
DIMENSIONS
Small: (L) 50 × (W) 29 × (D) 17 mm
1.97 x 1.14 x 0.37"

WEIGHT Small: 75 g / 0.26 lbs

FINISHES / PRODUCT REF.

Polished Brass: CH1047PB
Brushed Brass: CH1047BB
Nickel Plated Brass: CH1047NPB
Patinated Bronze: CH1047PT

PRODUCTION / EDITION On Demand

**GENERAL DECORATION
BY JULES WABBES**

PHOTOS SEE P. 40-45

DESIGNED, MANUFACTURED AND ASSEMBLED IN BELGIUM



GENERAL DECORATION

Route de Beaumont, 20
1380 Lasne – Belgium
+32 2 633 11 73
info@jules-wabbes.com

PHOTOGRAPHY

Michel Figuet

TEXT

© Marie Ferran-Wabbes

GRAPHIC DESIGN

Neutre.be

TECHNICAL DRAWINGS

Quentin De Moyer