

BRONZE WALL LAMP EXTERIOR P.2-17



Bronze is a highly resistant material with a beautiful dark colour that develops a patina over time and can be gilded if polished.

Every element of the lamp serves a function, and it's a game of assembly.

This lamp is suitable for outdoor use thanks to a system of glass which protects the bulb. The bronze takes a beautiful patina with time and weather.

GARDEN LAMP P.19-23

The Garden Spot is a cylindrical piece of cast raw bronze. Rotating structure for directing the light. This lamp is designed to blend discreetly into nature while gaining a natural patina over time very alike the one of a bark of a tree. This lamp has been endorsed and used by leading landscape architects and designers such as Jacques Wirtz and Jean-Noël Capart. General Decoration has manufactured this garden element since its creation in 1969.

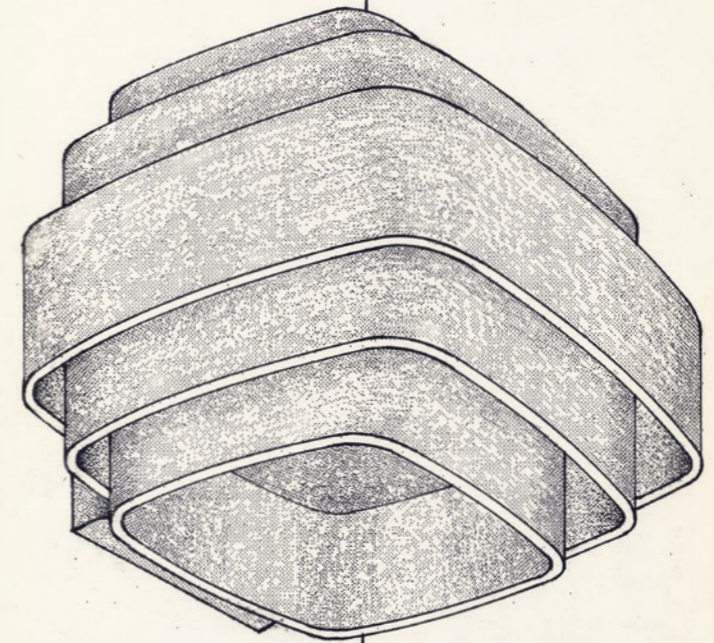


Jules Wabbes

GENERALDECORATION

BRONZE WALL LAMP EXTERIOR

APPLIQUE BRONZE BRUT



GENERAL DECORATION

RUE DE MIDDELBOURG 48. 1170 BRUXELLES

grand modèle : 18.000 ₣ (hors TVA)
petit modèle : 13.000 ₣ (hors TVA)

22 x 26 x 23
16,5 x 24 x 15,5

TEL : 73.61.40

Original
drawing,
circa 1969.



BRONZE WALL LAMP

Bronze Wall Lamp:
A ring (central part)
being removed from
the core casting box

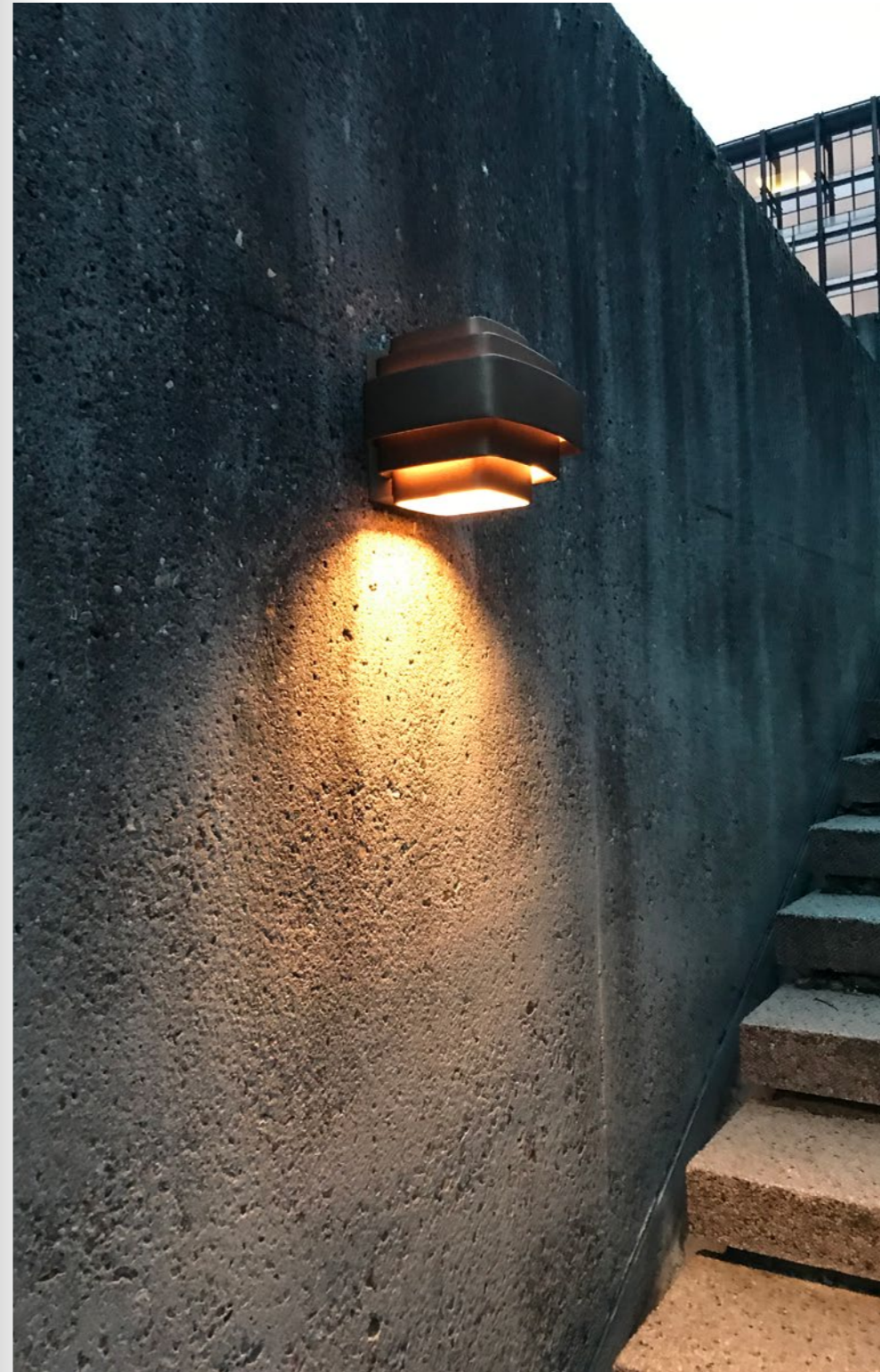


Small Exterior Bronze Wall Lamp
Raw Bronze | W1004-R





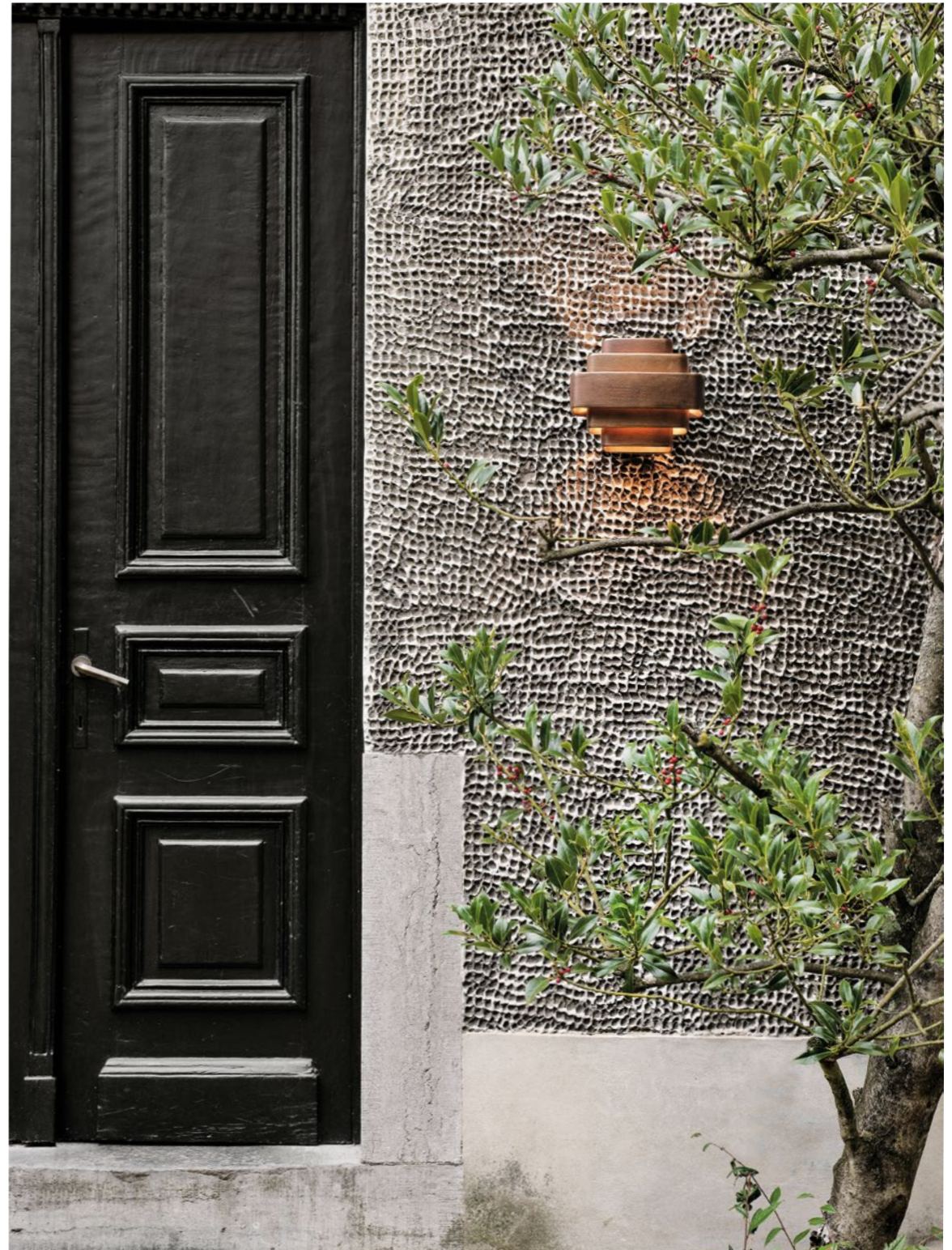
Small Exterior Bronze Wall Lamp
Raw Bronze | W1004-R



Large Exterior
Bronze Wall Lamp
Raw Bronze | W1000-R



Large Exterior
Bronze Wall Lamp
Raw Bronze | W1000-R



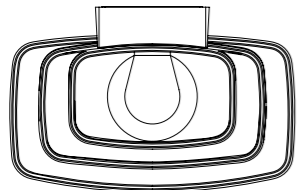
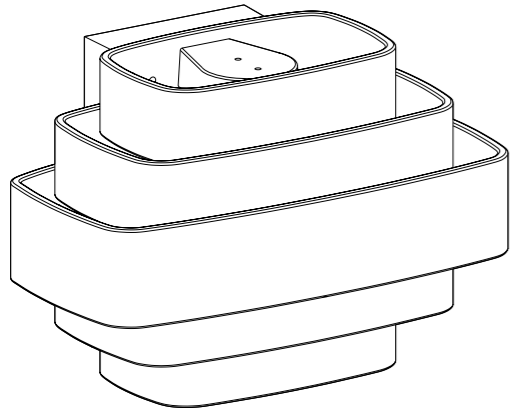


Extra-Large Exterior
Bronze Wall Lamp
Raw Bronze | W1051-R

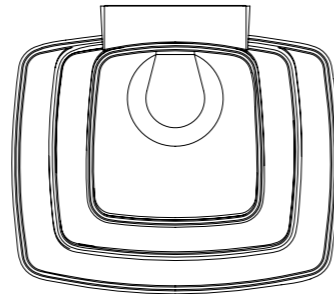
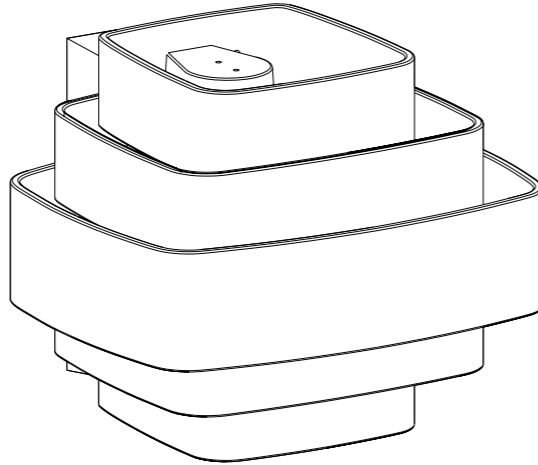
Extra-Large Exterior Bronze Wall Lamp
Nickel-plated Bronze | W1051-NP



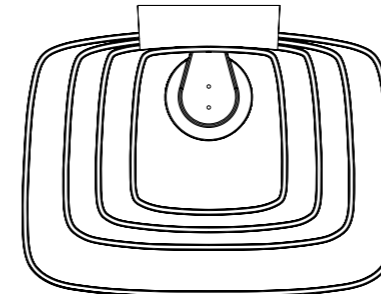
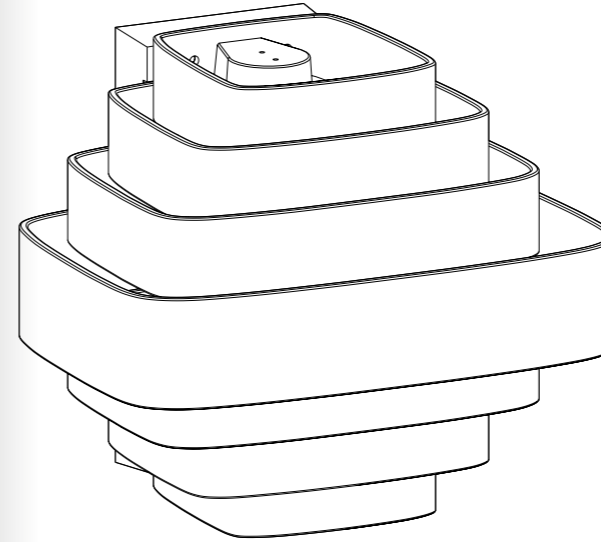
**SMALL WALL LAMP
EXTERIOR — W1004**



**LARGE WALL LAMP
EXTERIOR — W1000**



**X-LARGE WALL LAMP
EXTERIOR — W1051**



SMALL MODEL FINISHES

-  Raw Bronze
W1004-R
-  Nickel-plated
Bronze
W1004-NP

LARGE MODEL FINISHES

-  Raw Bronze
W1000-R
-  Nickel-plated
Bronze
W1000-NP

X-LARGE MODEL FINISHES

-  Raw Bronze
W1051-R
-  Nickel-plated
Bronze
W1051-NP

DEGREE OF PROTECTION: IP45

TECHNICAL SPECS

NAME Small Bronze Wall Lamp
 ORIGINAL DESIGN 1969
 MATERIAL Bronze
 DIMENSIONS (L) 240 × (D) 148 × (H) 163 [mm]
 (L) 9.45 × (D) 5.80 × (H) 6.40 ["]
 WEIGHT Small Exterior: 7.7 kg / 16.98 lbs
 FINISHES / PRODUCT REF. Exterior Raw Bronze | W1004-R
 PRODUCTION / EDITION On Demand

TECHNICAL SPECS

NAME Large Bronze Wall Lamp
 ORIGINAL DESIGN 1969
 MATERIAL Bronze
 DIMENSIONS (L) 265 × (D) 230 × (H) 205 [mm]
 (L) 10.25 × (D) 9.00 × (H) 8.00 ["]
 WEIGHT Large Exterior: 9.6 kg / 21.16 lbs
 FINISHES / PRODUCT REF. Raw Bronze | W1000-R
 PRODUCTION / EDITION On Demand

TECHNICAL SPECS

NAME X-Large Bronze Wall Lamp
 ORIGINAL DESIGN 1969
 MATERIAL Bronze
 DIMENSIONS (L) 320 × (D) 250 × (H) 270 [mm]
 (L) 12.60 × (D) 9.85 × (H) 10.63 ["]
 WEIGHT X-Large Exterior: 13.5 kg / 29.76 lbs
 FINISHES / PRODUCT REF. Raw Bronze | W1051-R
 PRODUCTION / EDITION On Demand

GARDEN LAMP

SPOT pour JARDIN

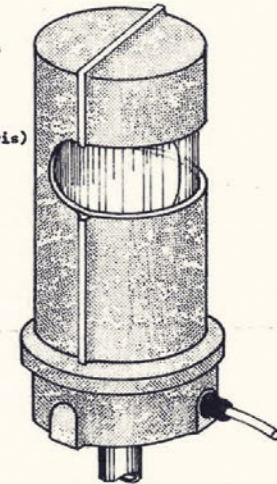
bronze brut

NOTE pour l'électricien

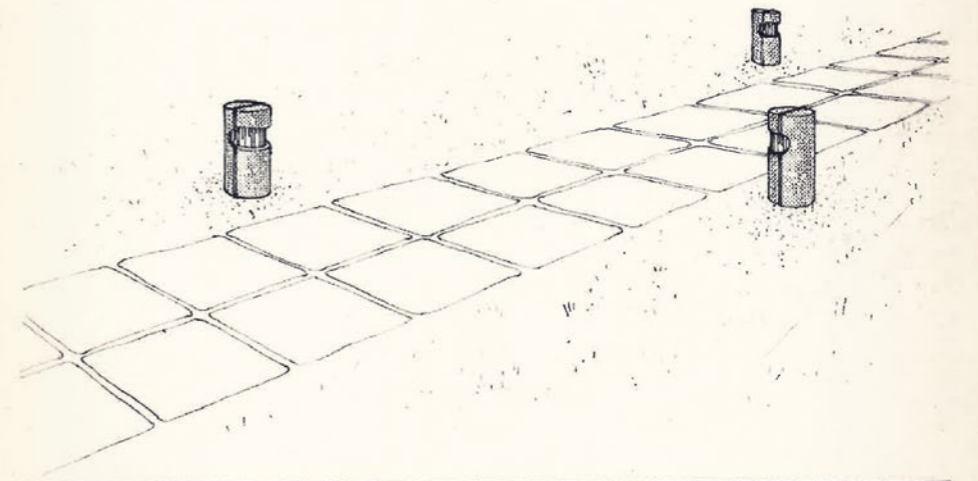
- 1) Retirer les 4 grosses vis et faire alors le simple raccordement électrique.
- 2) Pour le remplacement de la lampe défaire les deux petits vis sur les arrêtes de côté et soulever le chapeau en bronze. - Il n'est pas nécessaire pour le changement de lampe, d'ouvrir le boîtier de raccordement (c-à-d les 4 grosses vis)

(N.B.) en désserrant légèrement les 2 vis sur les arrêtes de côté, vous pouvez aisément orienter le chapeau.

niveau de placement



Le spot se place soit dans la maçonnerie, soit dans la terre avec un piquet.



GENERAL DECORATION

RUE DE MIDDELBOURG 48. 1170 BRUXELLES

prix : 6.500 F (hors TVA)

TE : 673.61.40

Original
drawing,
circa 1969.



Garden Lamp
Raw Bronze | W1026



Garden Lamp
Raw Bronze | W1026

GENERAL DECORATION

HEAD OFFICE

Route de Beaumont, 20
1380 Lasne – Belgium
+32 2 633 11 73
info@juleswabbes.com

SHOWROOM

Place Brugmann, 5
1050 Brussels – Belgium

CREDITS

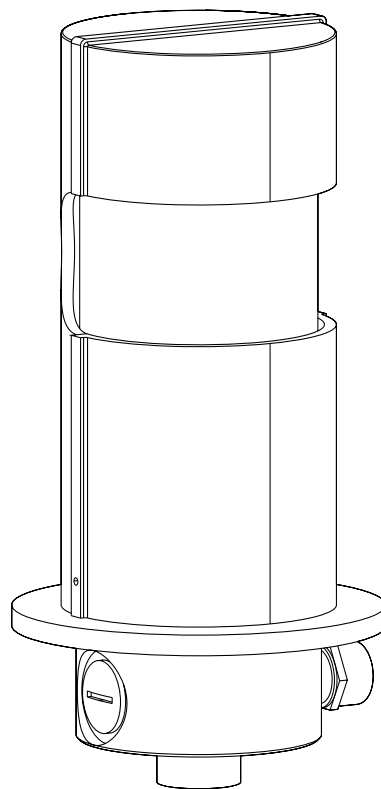
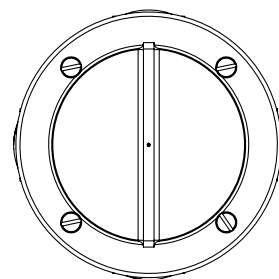
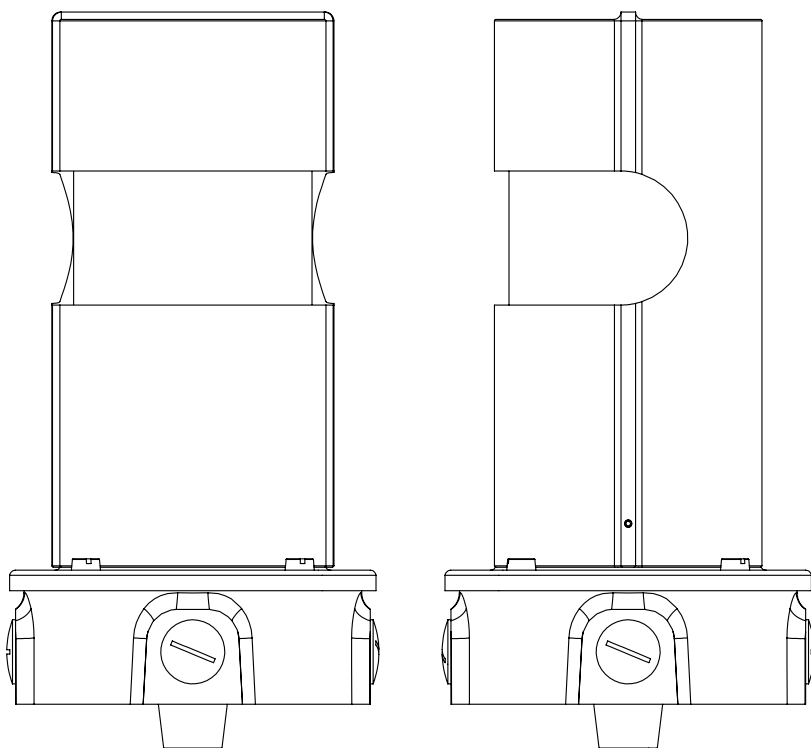
Texts: Marie Ferran-Wabbes

Photos: Michel Figuet, Nicolas Schimp

Graphic design: Neutre.be

Technical drawings: Quentin De Moyer

GARDEN LAMP — W1026-R



TECHNICAL SPECS

NAME	Garden Lamp
ORIGINAL DESIGN	1969
MATERIAL	Bronze
DEGREE OF PROTECTION	IP45
DIMENSIONS	(H) 256 x (D) 125 [mm] (H) 10.08 x (D) 4.90 ["]
WEIGHT	5.2 kg / 11.46 lbs
FINISHES / PRODUCT REF.	Raw Bronze W1026-R
PRODUCTION / EDITION	On Demand