

FIRE BELT P.2-7



The Fire Belt's design allows the piece to be adjusted in width, by simply gliding its two parts through the two buckles.

This ingenious model describes an elegant curve around the fireplace. Its shape is directly inspired by the one of a regular leather belt.

FIRE DOGS P.8-11

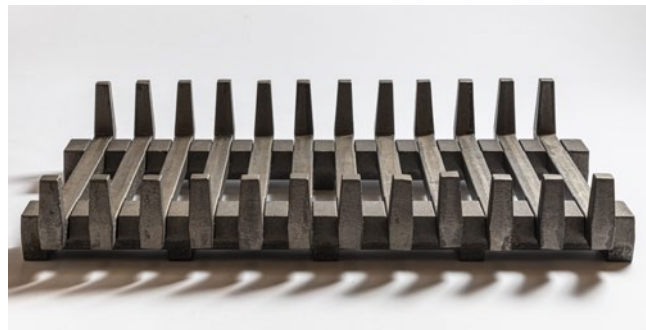


The Firedogs are handmade in cast iron and bronze, two materials that gain a beautiful patina once used and blackened by fire.

This model evokes giant bones, like the ones of a dinosaur or a mythical creature.

FIRE BASKET P.12-20

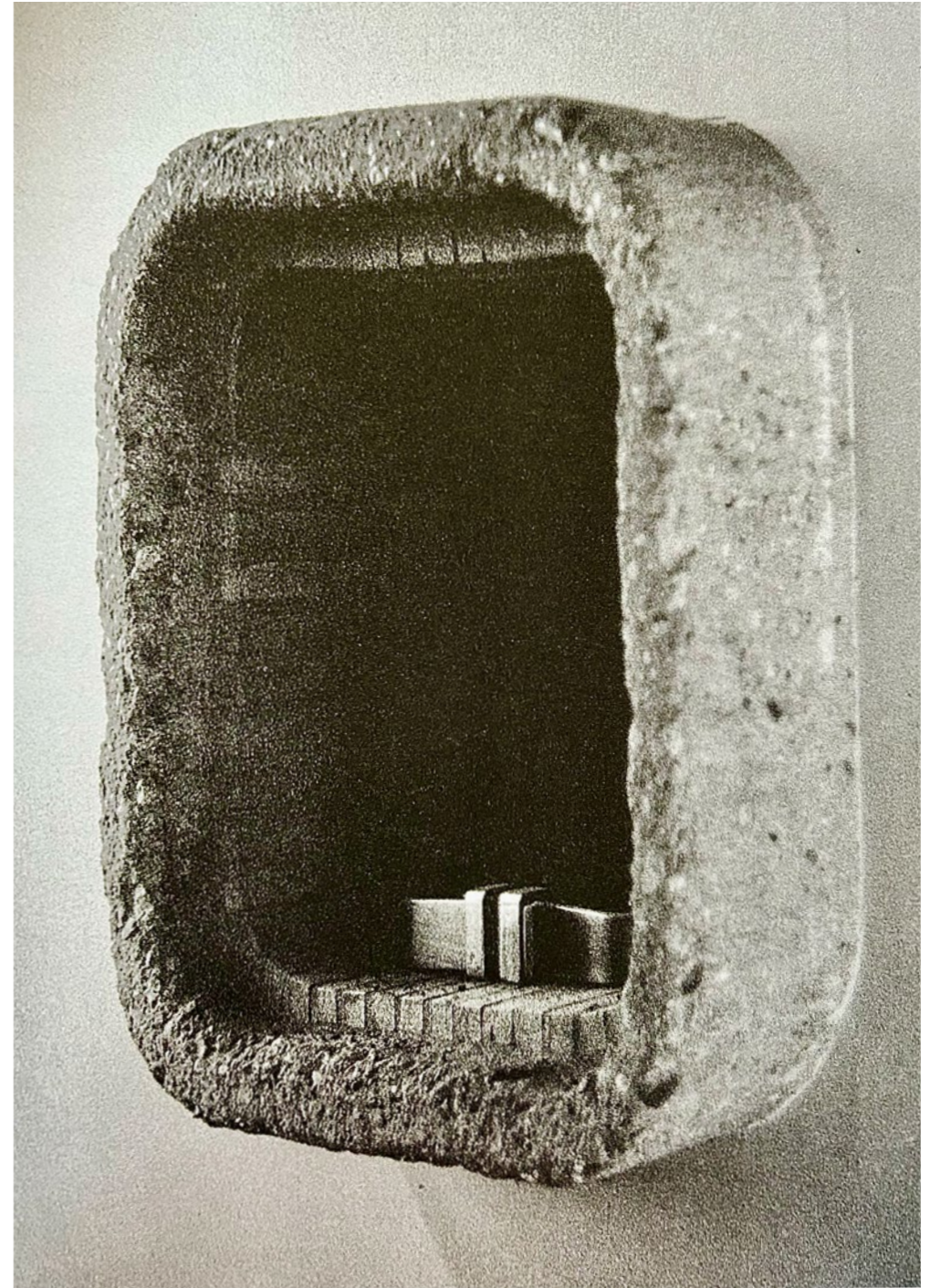
These andirons were conceived like a basket or a grid of cast iron. They were designed for Wabbes' new home after his wedding in 1960. Modern chimneys were smaller than traditional ones, hence the seemingly peculiar design and dimensions for that period. These andirons are very efficient at cradling logs and allow for a good airflow. You will keep this item forever. No maintenance is required. Natural patina.



Jules Wabbes

GENERALDECORATION

FIRE BELT



Original vintage
photography,
circa 1969.

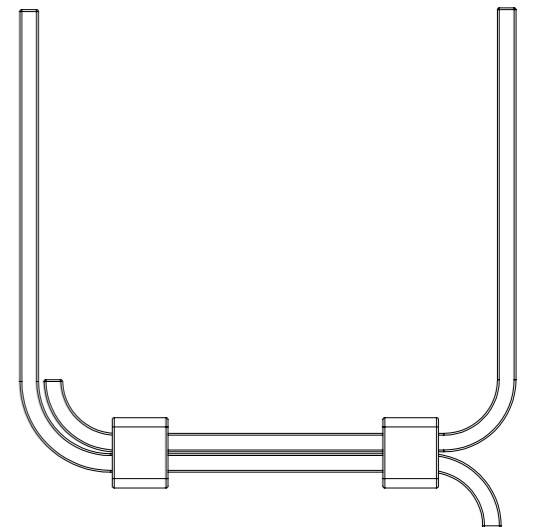
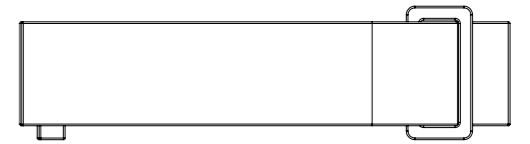
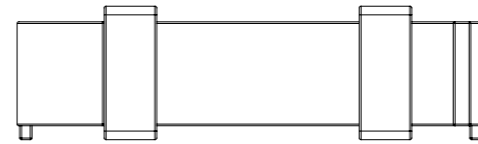
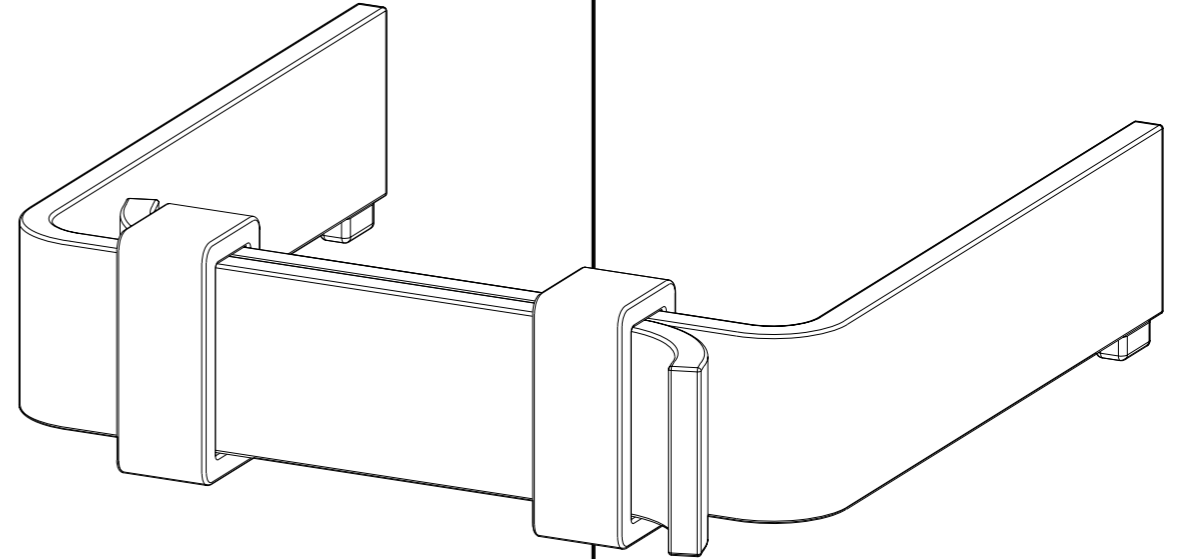


FIRE BELT

Back view, Iron &
Polished Bronze | W1031



FIRE BELT — W1031



TECHNICAL SPECS

NAME	Fire Belt
ORIGINAL DESIGN	1969
MATERIAL	Iron & Bronze

DIMENSIONS	(L) 280 × (W) 260-400 × (H) 75 [mm]
	(L) 11 × (W) 10.25-15.75 × (H) 3 ["]
WEIGHT	5,4 kg / 11.91 lbs

FINISHES / PRODUCT REF.	Iron, Polished Bronze W1031
-------------------------	-------------------------------

PRODUCTION / EDITION	On Demand
----------------------	-----------

FIRE BELT

Top view, Iron & Polished Bronze | W1031



FIRE DOGS



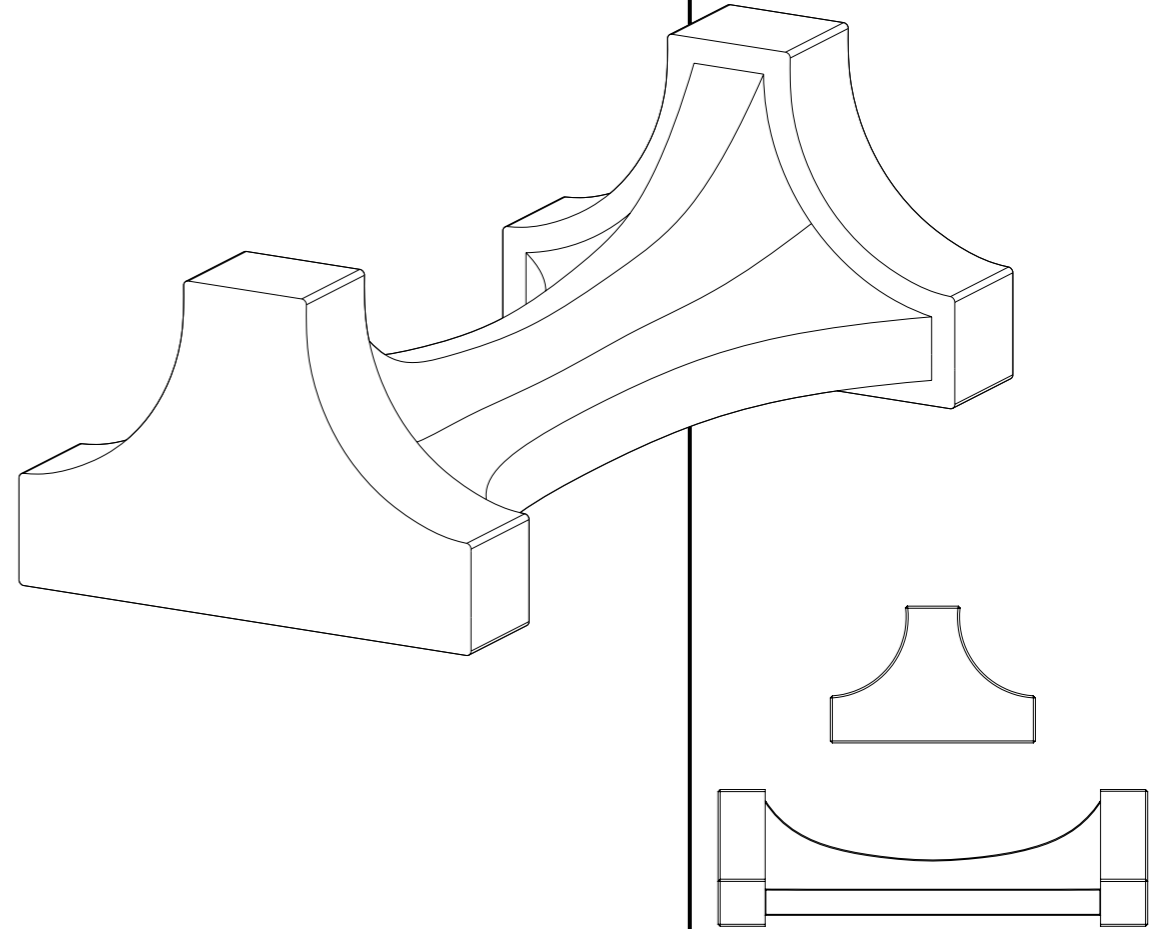
FIRE DOGS

Ironcast & Polished Bronze | W1030



FIRE DOGS
Ironcast & Polished Bronze | W1030

FIRE DOGS — W1030



TECHNICAL SPECS

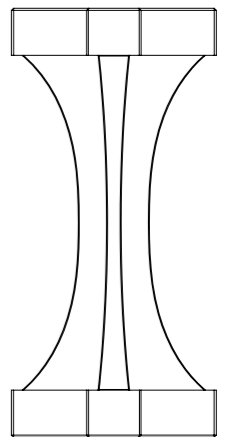
NAME Fire Dogs
ORIGINAL DESIGN 1967
MATERIAL Iron & Bronze

DIMENSIONS (L) 420 × (W) 195 × (H) 130 [mm]
(L) 16.50 × (W) 7.70 × (H) 5.10 ["]

WEIGHT 21 kg / 46.30 lbs (each)

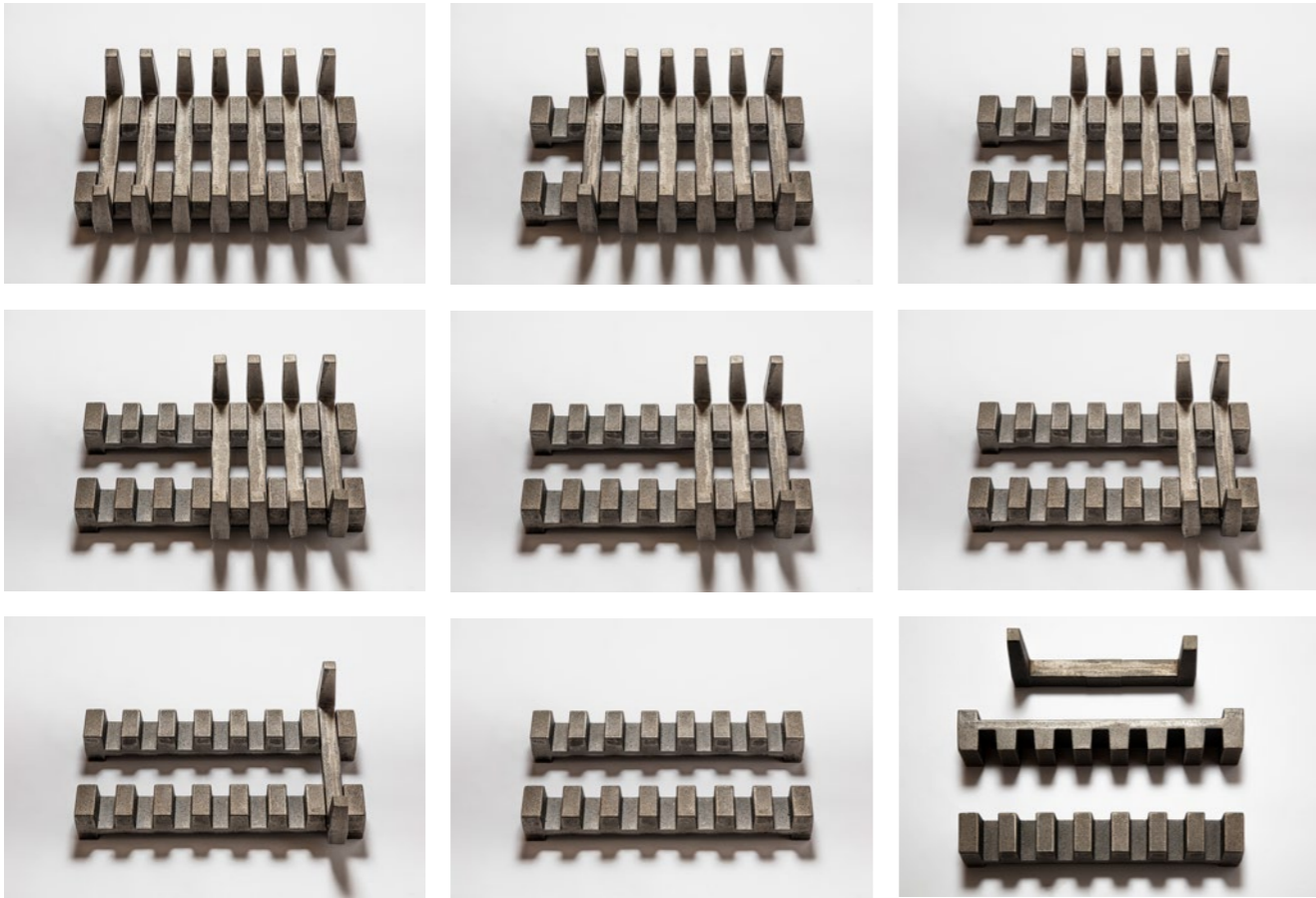
FINISHES / PRODUCT REF. Iron, Polished Bronze | W1030

PRODUCTION / EDITION On Demand



FIRE BASKET





FIRE DOGS
Small, Iron Cast | SFB01



FIRE DOGS

Large, Iron Cast | LFB02

Small, Iron Cast | SFB01

GENERAL DECORATION

HEAD OFFICE

Route de Beaumont, 20
1380 Lasne – Belgium
+32 2 633 11 73
info@juleswabbes.com

SHOWROOM

Place Brugmann, 5
1050 Brussels – Belgium

CREDITS

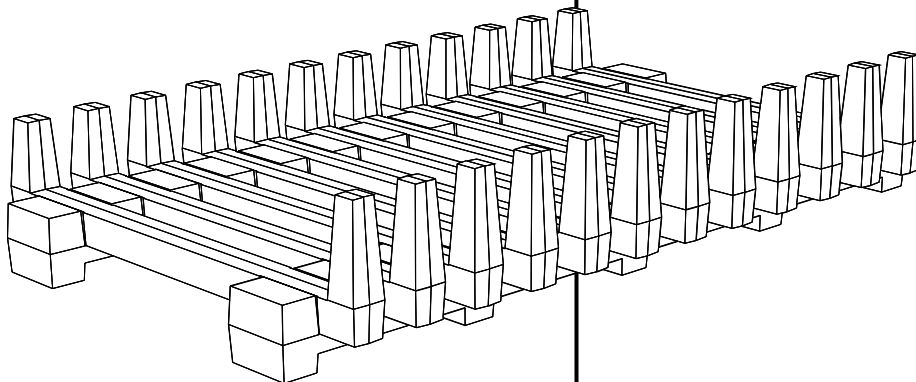
Texts: Marie Ferran-Wabbes

Photos: Michel Figuet, Nicolas Schimp

Graphic design: Neutre.be

Technical drawings: Quentin De Moyer

LARGE FIRE BASKET — LFB02



TECHNICAL SPECS

NAME Large Fire Basket
ORIGINAL DESIGN 1960 - 1965
MATERIAL Bronze

DIMENSIONS

(L) 755 × (W) 450 × (H) 140 [mm]
(L) 29.75 × (W) 17.70 × (H) 5.50 ["]

WEIGHT 60.0 kg / 132.28 lbs

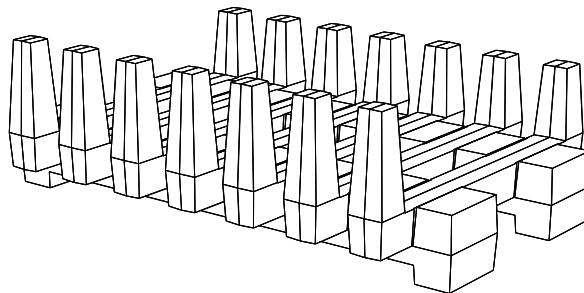
FINISHES / PRODUCT REF.

Iron Cast | LFB02

PRODUCTION / EDITION

On Demand

SMALL FIRE BASKET — SFB01



TECHNICAL SPECS

NAME Small Fire Basket
ORIGINAL DESIGN 1960 - 1965
MATERIAL Bronze

DIMENSIONS

(L) 445 × (W) 295 × (H) 140 [mm]
(L) 17.50 × (W) 11.60 × (H) 5.50 ["]

WEIGHT 30 kg / 66.14 lbs

FINISHES / PRODUCT REF.

Iron Cast | SFB01

PRODUCTION / EDITION

On Demand