

CABINET HANDLE — CH1047

BRASS, 1969

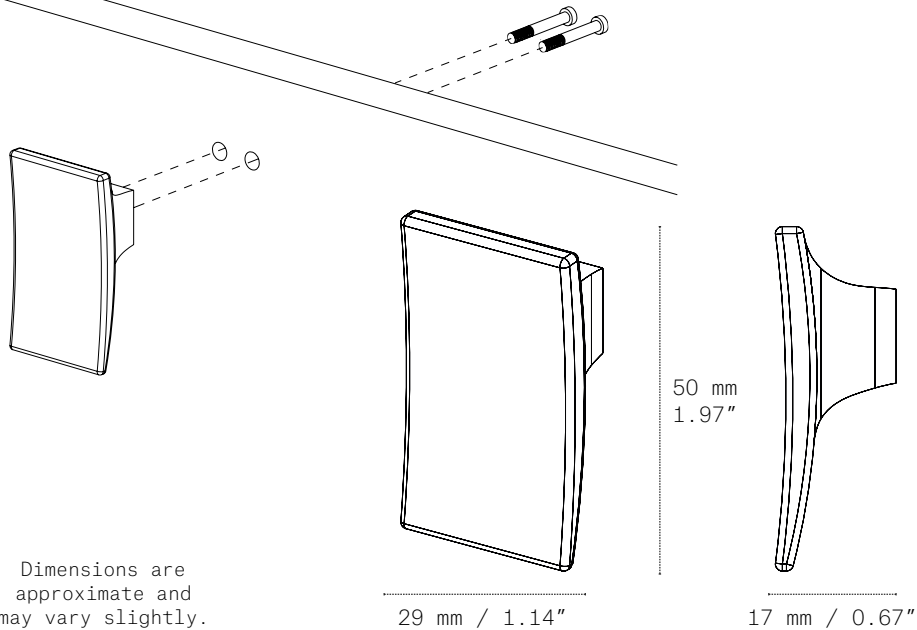


The first handles designed by Jules Wabbes were created for the drawers of his desks before 1957. Wabbes loved the look and feel of raw bronze and polished brass. He utilized them for lamps and accessories. Wabbes then designed a full collection of pull, door and furniture handle when he launched General Decoration in 1969. The smoothness of the handle together with its firm grip, the patina and the way the handle captures light make these pieces a must-have in a sophisticated interior.

INFO@JULESWABBES.COM
WWW.JULESWABBES.COM

Jules Wabbes
GENERALDECORATION

CABINET HANDLE — CH1047



FINISHES



Brushed Brass
CH1047BB



Nickel Plated Brass
CH1047NPB



Polished Brass
CH1047PB



Patinated Bronze
CH1047PT

DIMENSIONS (mm / inch — kg / lbs)

LENGTH	DEPTH	WIDTH	WEIGHT
50 / 1.97	17 / 0.67	29 / 1.14	0.75 / 0.26