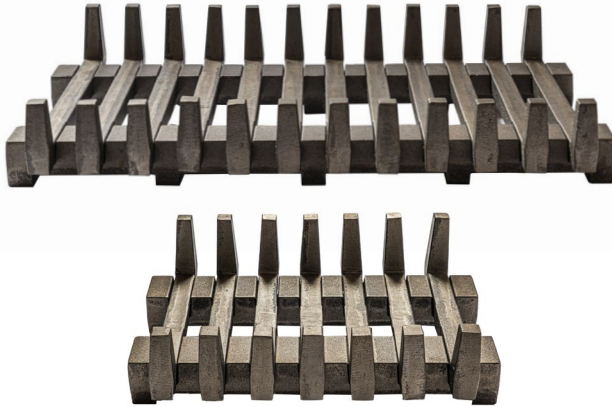


# FIRE BASKET — SFB01 / LFB02

IRON CAST, 1960 - 1965



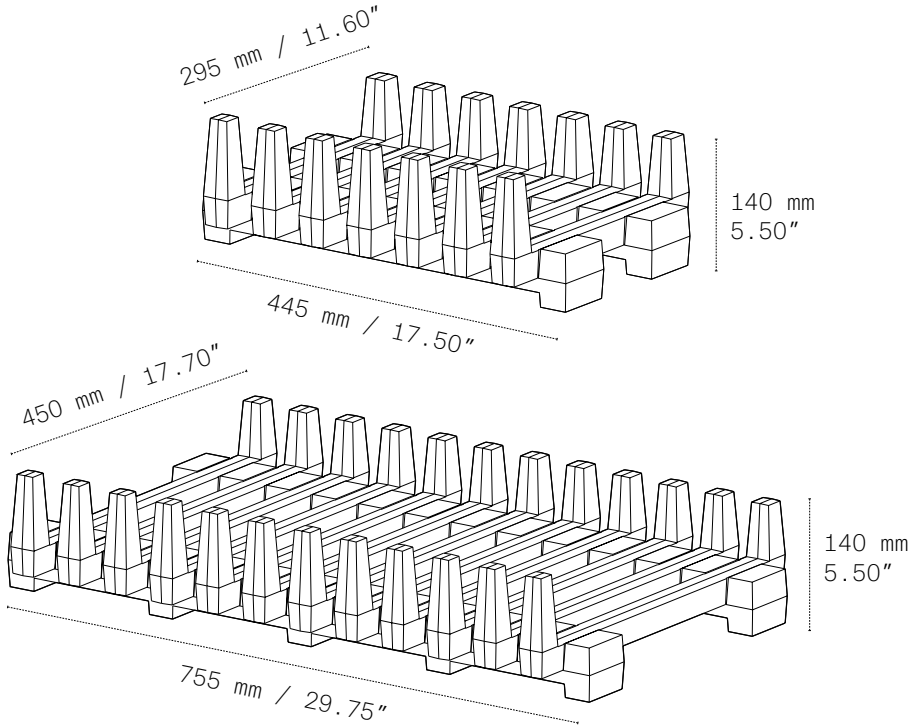
These andirons were conceived like a basket or a grid of cast iron. They were designed for Wabbes' new home after his wedding in 1960. Modern chimneys were smaller than traditional ones, hence the seemingly peculiar design and dimensions for that period. These andirons are very efficient at cradling logs and allow for a good airflow.

You will keep this item forever. No maintenance is required. Natural patina. Available in two sizes.

[INFO@JULESWABBES.COM](mailto:INFO@JULESWABBES.COM)  
[WWW.JULESWABBES.COM](http://WWW.JULESWABBES.COM)

**Jules Wabbes**  
GENERAL DECORATION

# FIRE BASKET — SFB01 / LFB02



Dimensions are approximate and may vary slightly.

## FINISHE



Iron Cast  
SFB01 / LFB02

## DIMENSIONS (mm / inch — kg / lbs) SMALL/LARGE

| LENGHT               | WIDTH       | HEIGHT     | WEIGHT      |
|----------------------|-------------|------------|-------------|
| <b>S</b> 445 / 17.50 | 295 / 11.60 | 140 / 5.50 | 30 / 66.14  |
| <b>L</b> 755 / 29.75 | 450 / 17.70 | 140 / 5.50 | 60 / 132.28 |