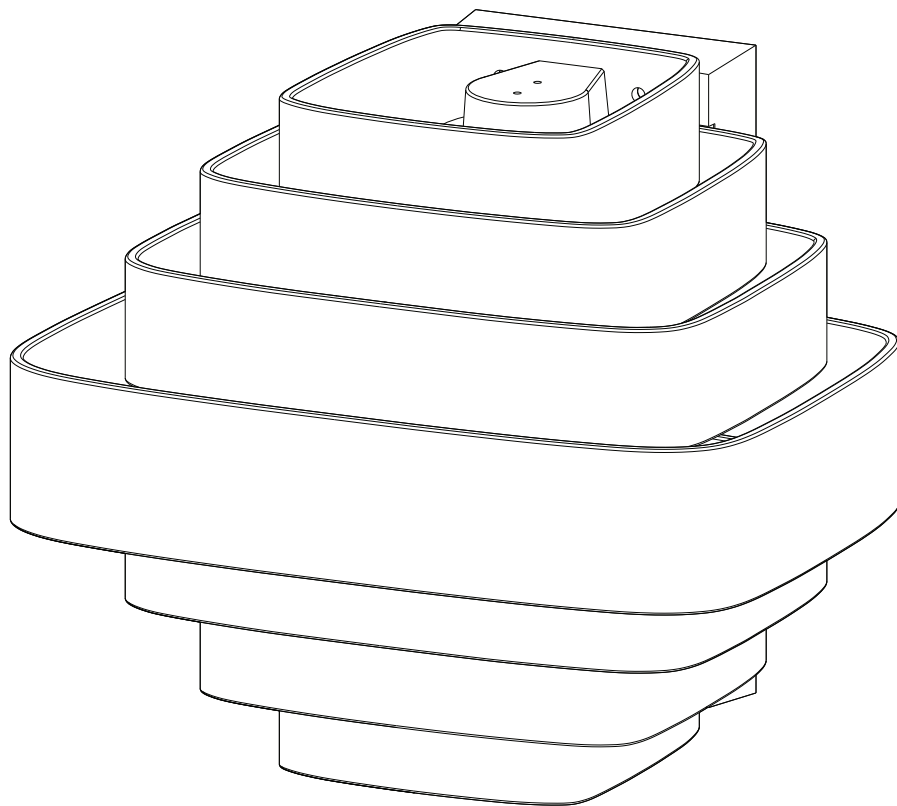
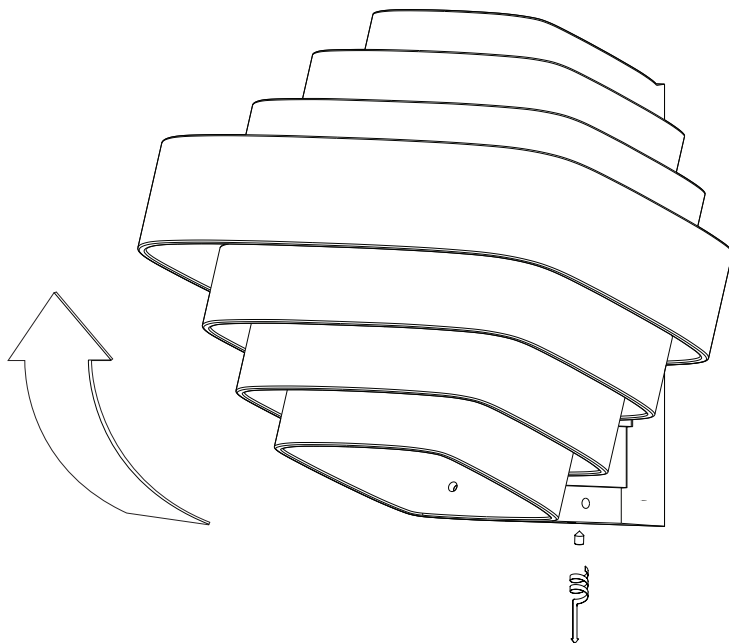


# ASSEMBLY INSTRUCTIONS



**INFO@JULESWABBES.COM**  
**WWW.JULESWABBES.COM**

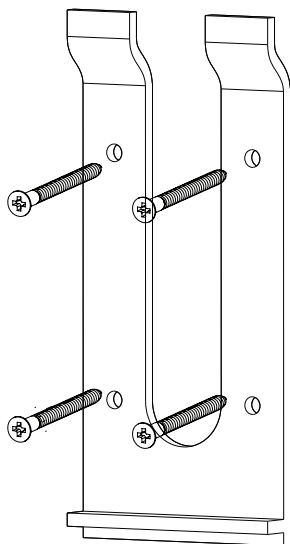
**GEDE**



1



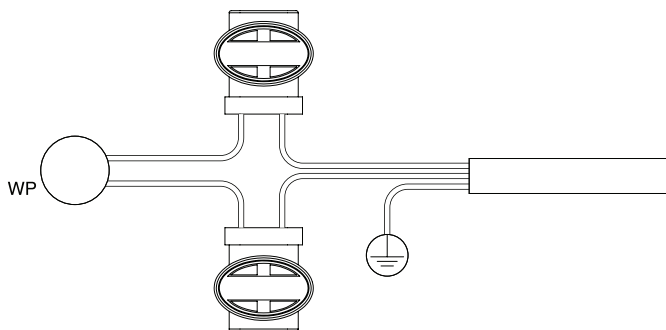
X4



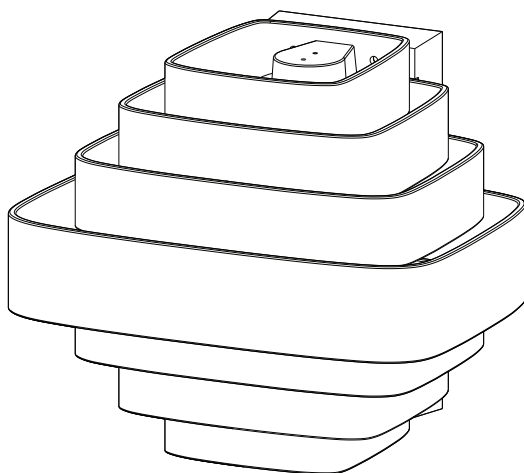
2



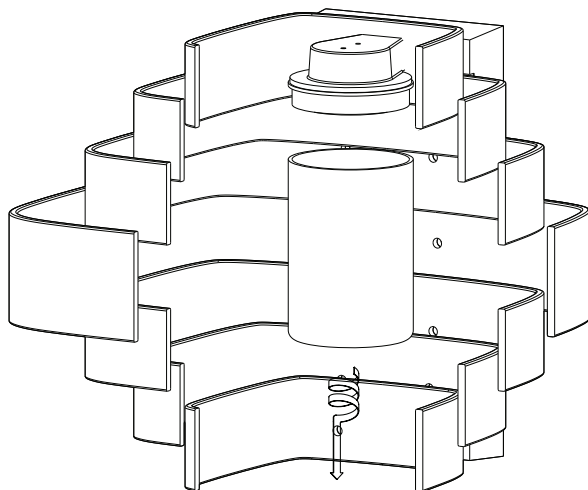
**X2**



**3**



**4**



5

## TECHNICAL SPECIFICATIONS

Degree of protection : IP45

Materials: Bronze, borosilicate glass

Length : 320 mm - 12.60"

Height: 270 mm - 10.63"

Depth: 250 mm - 9.85"

Weight : 13,5 kg - 29,76 lbs

Light bulb: E27 Max 60W - E26 Max 40W

Power: AC 240V-120V

Material to be placed by a licensed electrician, otherwise we assume no liability or guarantee. The material has been checked and tested by our care before delivery and is fully compliant.

**GENERALDECORATION**

**SPRL GENERAL DECORATION - ROUTE DE BEAUMONT, 5 - 1680 LASNE**