

SQUARE HANDLE — SH1046

BRONZE, 1969

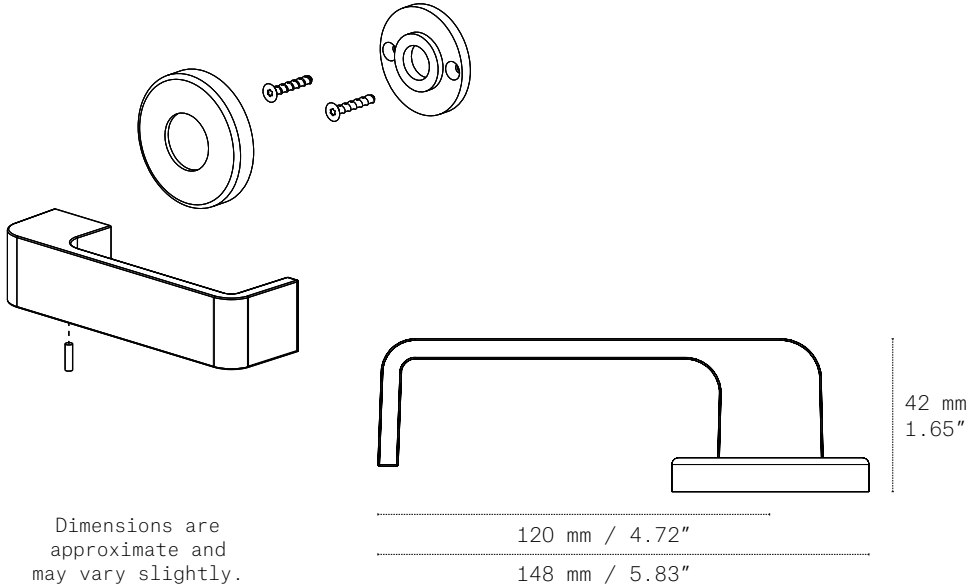


The Square Handle evokes a sense of lightness, thanks to the precise space between the end of the handle and the door. The spacing is perfectly balanced. Jules Wabbes' handles go beyond being mere design objects; they symbolise his philosophy.

INFO@JULESWABBES.COM
WWW.JULESWABBES.COM

Jules Wabbes
GENERALDECORATION

SQUARE HANDLE — SH1046



FINISHES



Raw Bronze
SH1046R



Polished Bronze
SH1046P



Nickel-plated Bronze
SH1046NP

DIMENSIONS (mm / inch — kg / lbs)

LENGTH (UNTIL CENTER)	DEPTH	LENGTH (TOTAL)	WEIGHT
120 / 4.72	42 / 1.65	148 / 5.83	0.65 / 0.23