

BRASS WALL LAMPS



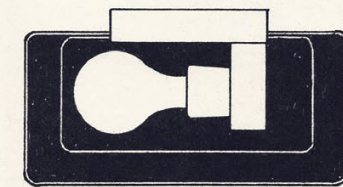
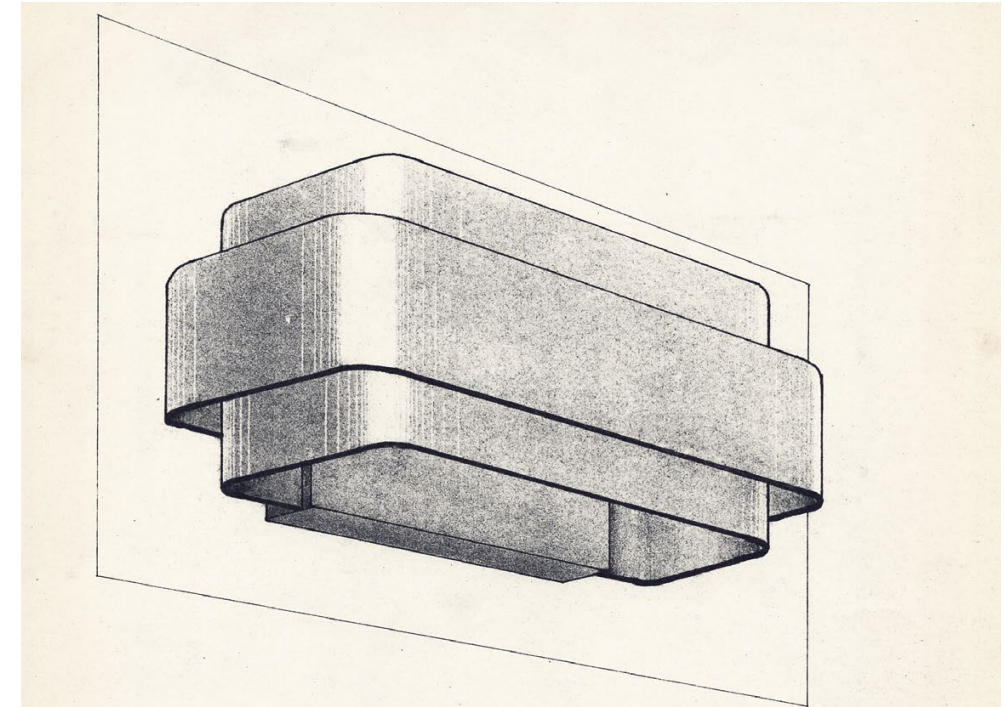
The Brass Wall Lamps are composed of three, five or eleven curved brass sheets and were designed by Jules Wabbes in 1968.



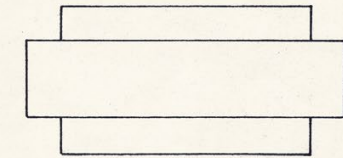
Jules Wabbes

GENERALDECORATION

Mini Wall Lamp



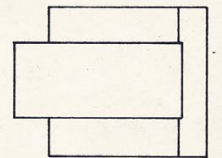
198



108

96

Tarif 1976
DECORS : LAITON : 4.400 F (hors TVA)
 CHROME) 4.900 F (hors TVA)
 NICKEL)



Original technical drawing,
circa 1968.

GENERAL DECORATION
Rue de Middelbourg 48
1170 Bruxelles

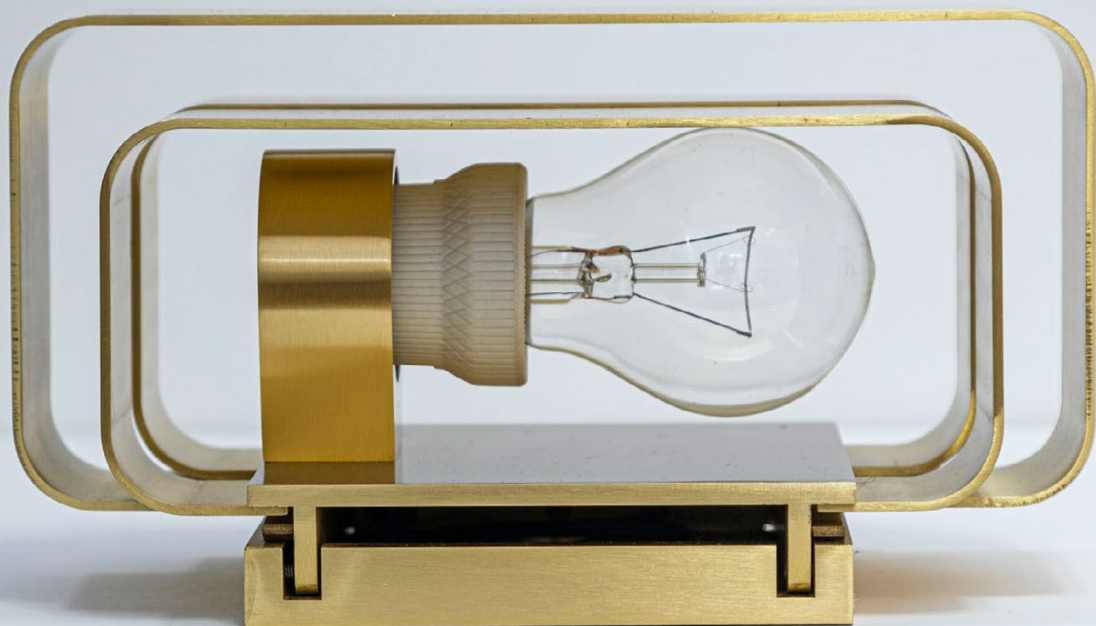
Tel : 673.61.40



The Mini Wall Lamp is composed of three curved brass sheets. It belongs to the same family as the 5-Band and 11-Band Wall Lamp. Historically, this elegant lighting element was often placed in stairwells. Today, it is found in projects of the most admired interior architects, in Belgium and in the world.

MINI WALL LAMP

Left: Brushed Brass | MWL-BB
Right: Polished Brass | MWL-PB



Jules Wabbes was very much attracted by the genuineness of natural material like exotic wood or metal, particularly brass and bronze. Brass was already loved during the Roman Empire and in the Middle Ages in the Low Countries under the name of dinanderie because of its bright gold-like appearance. The alloy of copper and zinc is both flexible and solid. It can be folded, bent, and have a more or less brilliant gold or silver finish. Each ring of a wall lamp is shaped, dipped in a bath, and then polished before final manual assembly. Honeycomb lamps are thus assembled in a matrix before being welded, bathed, filled, and polished.

Time gives a beautiful and natural patina to the brass objects.

The brushed and the polished finishes are varnished. However, if desired, we can offer an unvarnished version which will oxidise more quickly over time and will have an elegant patina as well.



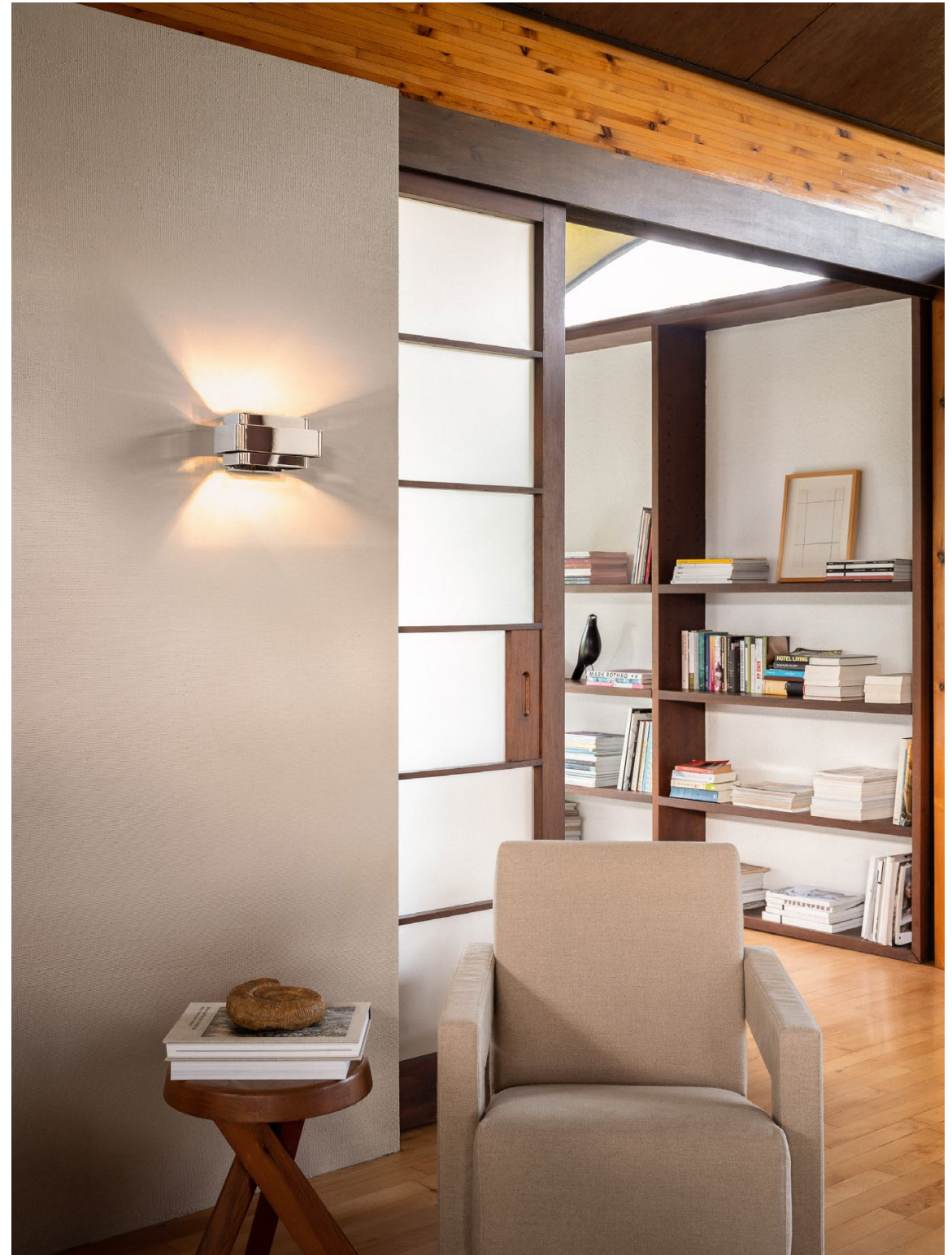
MINI WALL LAMP

Left: Brushed Brass | MWL-BB
Right: Polished Brass | MWL-PB



MINI WALL LAMP

Left an right: Nickel-plated Brass | MWL-NPB

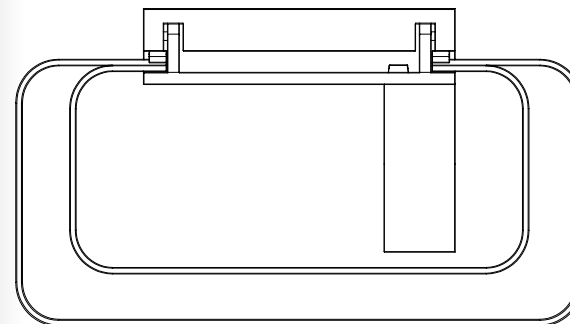
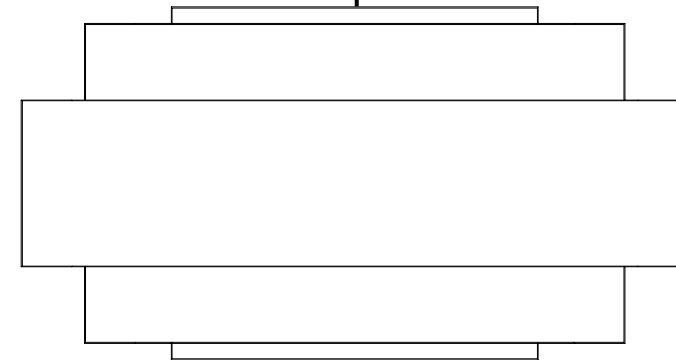
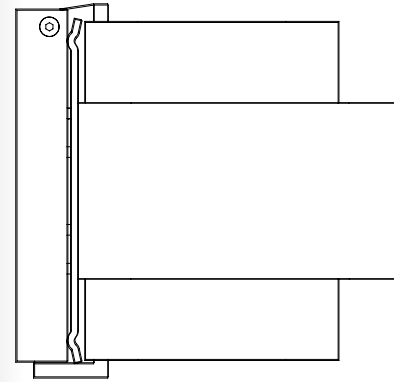




MINI WALL LAMP

Left an right: Polished Brass | MWL-PB

MINI WALL LAMP — MWL



TECHNICAL SPECS

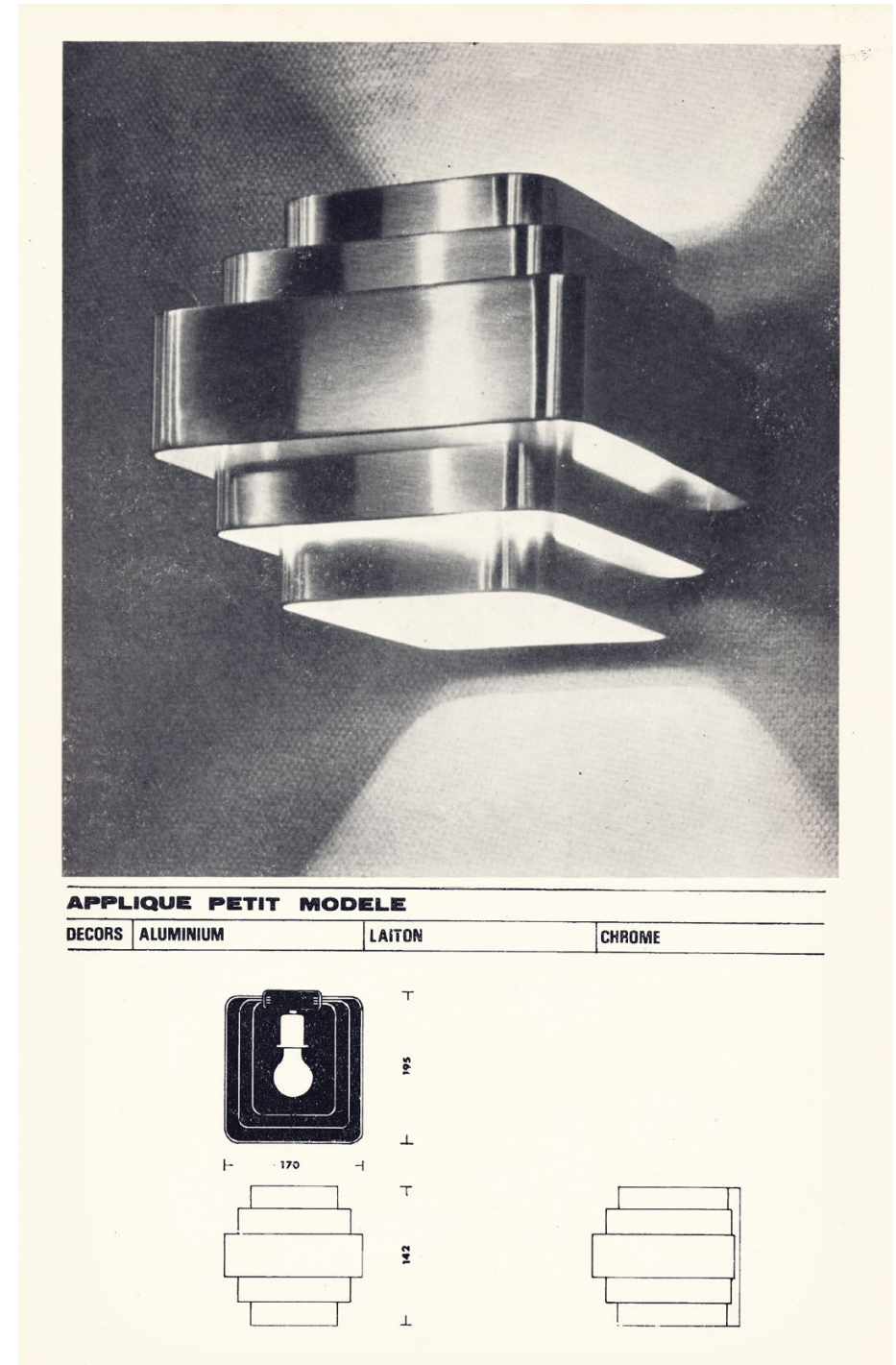
NAME	Mini Wall Lamp
ORIGINAL DESIGN	1968
MATERIAL	Brass

DIMENSIONS	(L) 200 × (D) 110 × (H) 106 [mm]
	(L) 7.87 × (D) 4.35 × (H) 4.20 ["]
WEIGHT	2.0 kg / 4.41 lbs

FINISHES / PRODUCT REF.	Polished Brass MWL-PB
	Nickel-plated Brass MWL-NPB
	Brushed Brass MWL-BB

PRODUCTION / EDITION	On Demand
----------------------	-----------

5-Band Wall Lamp



5-BAND WALL LAMP

Right: Nickel-plated
Brass | 5BWL-NPB

Left: Original technical
drawing with vintage
photography, circa 1968.

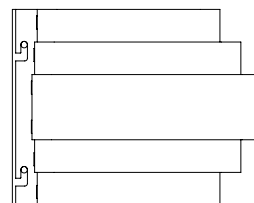
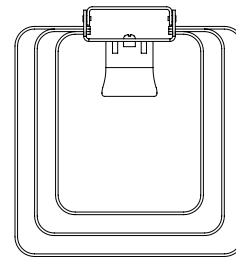
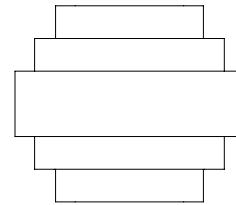
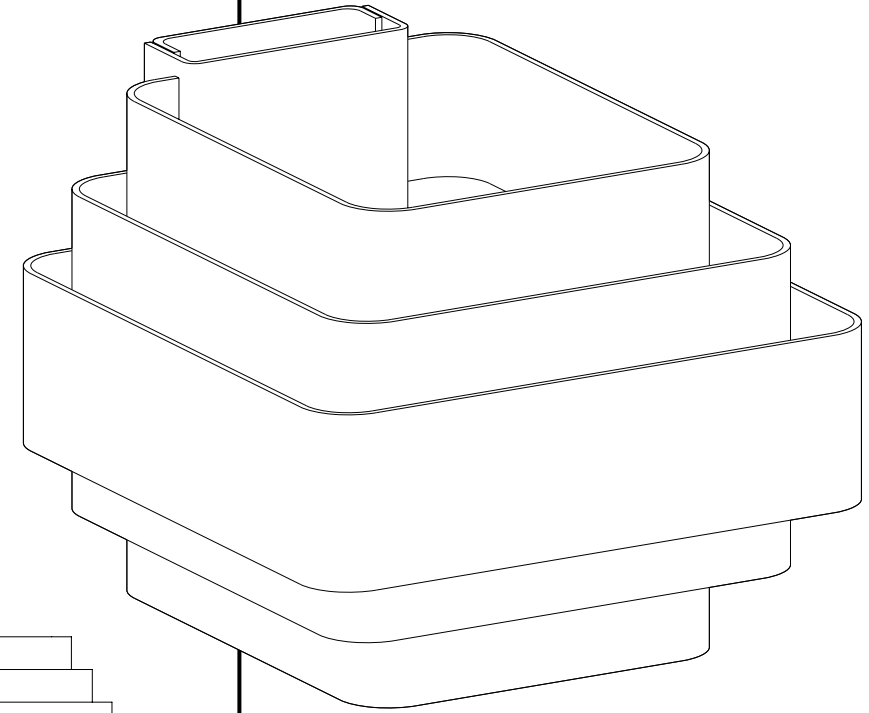


5-BAND WALL LAMP

Right: Nickel-plated Brass | 5BWL-NPB
Left: Polished Brass | 5BWL-PB

This wall lamp is composed of five curved brass bands. It looks more like a square in comparison with the Mini Wall Lamp and the 11-Band Wall Lamp. It belongs to the same family. Designed around 1968, the light is softly diffused through the shiny metal bands and forms beautiful shades.

5-BAND WALL LAMP — 5BWL



TECHNICAL SPECS

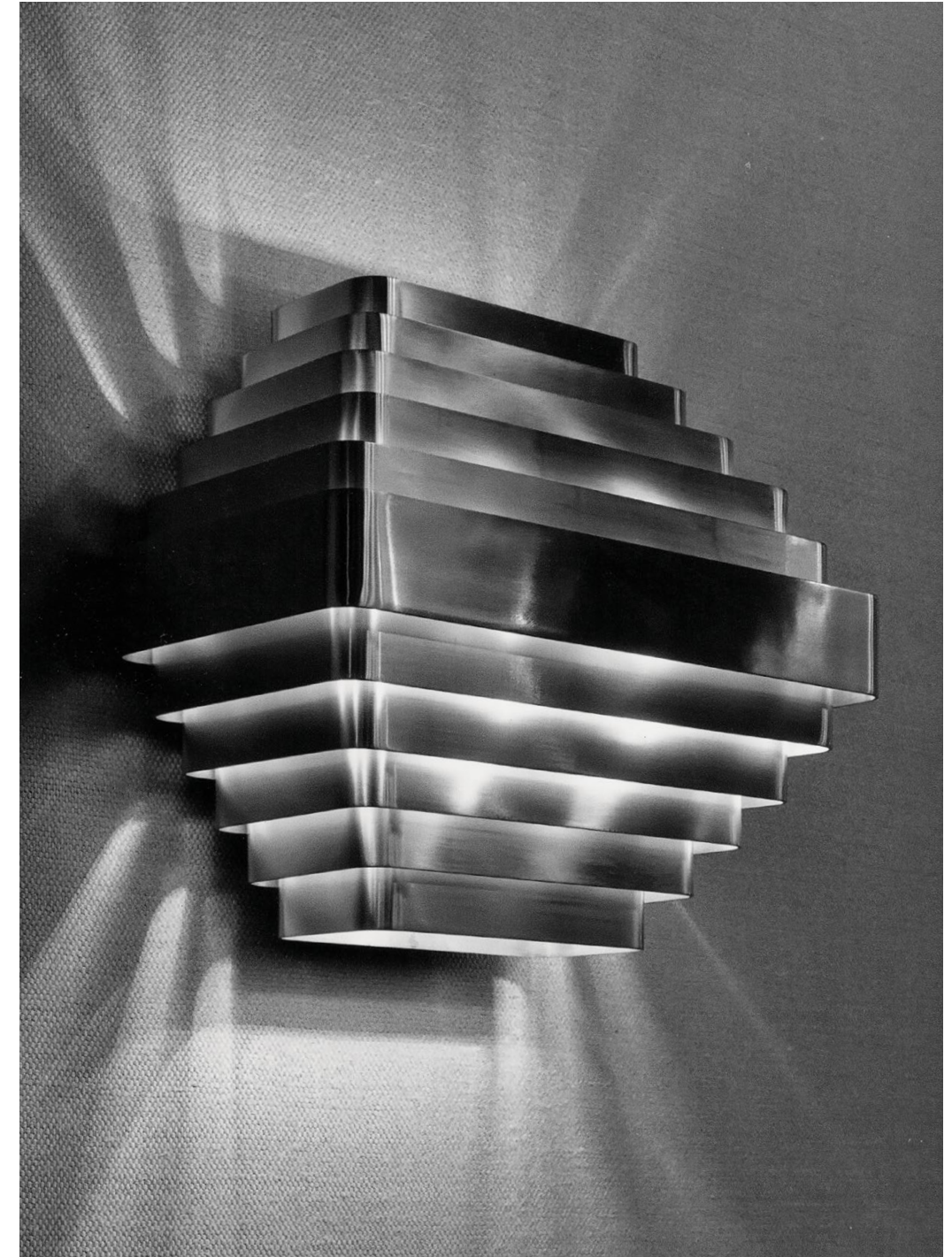
NAME 5-Band Wall Lamp
ORIGINAL DESIGN 1968
MATERIAL Brass

DIMENSIONS (L) 173 × (D) 189 × (H) 150 [mm]
(L) 6.80 × (D) 7.50 × (H) 5.90 ["]
WEIGHT 2.3 kg / 5.07 lbs

FINISHES / PRODUCT REF.
Polished Brass | 5BWL-PB
Nickel-plated Brass | 5BWL-NPB
Brushed Brass | 5BWL-BB

PRODUCTION / EDITION On Demand

11-Band Wall Lamp



11-BAND WALL LAMP

Right: Polished
Brass | 11BWL-PB
Left: Vintage
photography,
circa 1968.

This wall lamp is composed of eleven curved brass bands. It belongs to the same family as the Mini Wall Lamp and the 5-Band Wall Lamp. It was designed in 1968 for the Mobilier Universel and became part of General Decoration's catalogue. This lamp was created by Jules Wabbes after the Honeycomb Wall Lamp and following the same principle. Light is diffused through the shiny metal bands which makes for beautiful shades to be projected on the wall.



11-BAND WALL LAMP

Nickel-plated
Brass | 11BWL-NPB

GENERAL DECORATION

HEAD OFFICE

Route de Beaumont, 20
1380 Lasne – Belgium
+32 2 633 11 73
info@juleswabbes.com

SHOWROOM

Place Brugmann, 5
1050 Brussels – Belgium

CREDITS

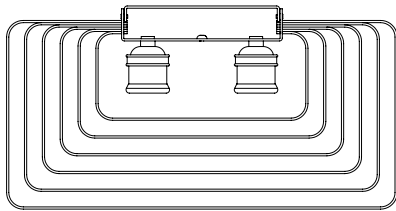
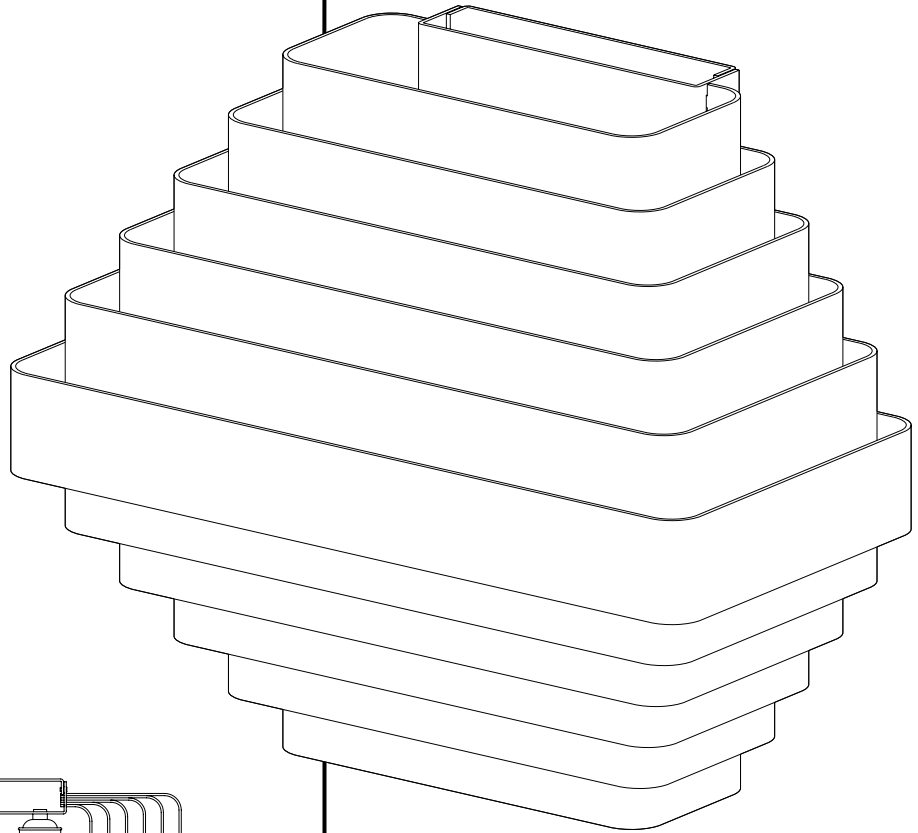
Texts: Marie Ferran-Wabbes

Photos: Michel Figuet, Nicolas Schimp

Graphic design: Neutre.be

Technical drawings: Quentin De Moyer

5-BAND WALL LAMP — 11BWL



TECHNICAL SPECS

NAME 11-Band Wall Lamp
ORIGINAL DESIGN 1968
MATERIAL Brass

DIMENSIONS (L) 350 × (D) 181 × (H) 300 [mm]
(L) 13.80 × (D) 7.20 × (H) 11.80 ["]
WEIGHT 6.5 kg / 14.33 lbs

FINISHES / PRODUCT REF.
Nickel-plated Brass | 11BWL-NPB
Polished Brass | 11BWL-PB

PRODUCTION / EDITION On Demand

