

# HEXAGONAL HANDLE — HH1045

BRONZE, 1969

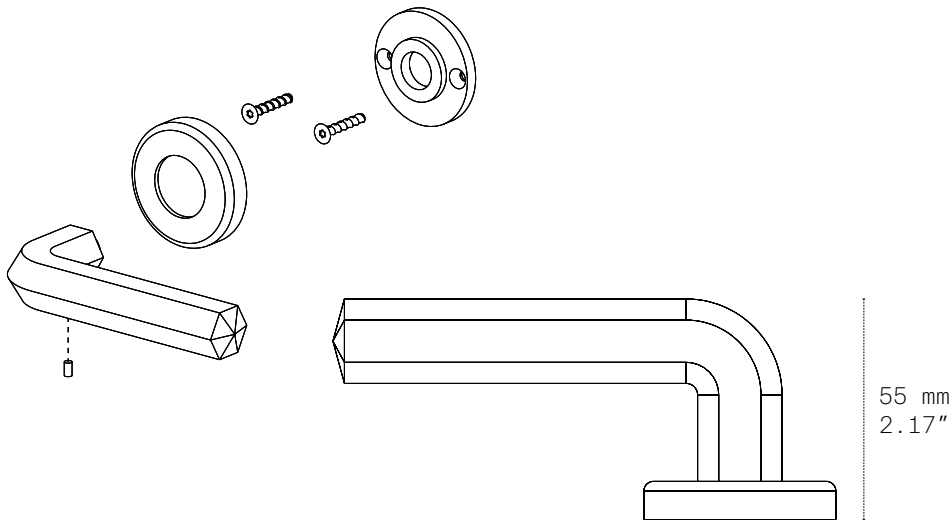


The appeal of Wabbes' hexagonal handles lies in their simplicity and versatility. The geometric shape imparts a sense of order and balance to any space they inhabit, seamlessly integrating with various architectural styles. Attention to detail is evident in the finishing of the lever (the end of the handle), which culminates in a small hexagonal pyramid. This attention to detail is a hallmark of Wabbes' work. Jules Wabbes' handles are more than just design objects; they embody his philosophy.

[INFO@JULESWABBES.COM](mailto:INFO@JULESWABBES.COM)  
[WWW.JULESWABBES.COM](http://WWW.JULESWABBES.COM)

**Jules Wabbes**  
GENERALDECORATION

# HEXAGONAL HANDLE — HH1045



Dimensions are approximate and may vary slightly.

111 mm / 4.37"

136 mm / 5.35"

55 mm  
2.17"

## FINISHES



Raw Bronze  
HH1045R



Polished Bronze  
HH1045P



Nickel-plated Bronze  
HH1045NP

## DIMENSIONS (mm / inch — kg / lbs)

LENGTH (UNTIL CENTER)	DEPTH	LENGTH (TOTAL)	WEIGHT
111 / 4.37	55 / 2.17	136 / 5.35	0.48 / 0.17